

**COMPACT 155 Mbit/s
ADD-DROP MULTIPLEXER**

**MULTIPLEXEUR ADD-DROP
à 155 Mbit/s COMPACT**

ADR 155C

Installation and User Guide
Guide d'Installation et d'Utilisation

N56717020101

Issue : April 2000

Edition : Avril 2000



**COMPACT 155 Mbit/s
ADD-DROP MULTIPLEXER**

**MULTIPLEXEUR ADD-DROP
à 155 Mbit/s COMPACT**

ADR 155C

Installation and User Guide
Guide d'Installation et d'Utilisation

N56717020101

Issue : April 2000

Edition : Avril 2000

LIST OF CHANGES
REPertoire DES MISES A JOUR

(A new edition replaces any previous versions)
(*Une nouvelle édition annule et remplace la précédente*)

No/N°	Date/Date	Change description/Description de la mise à jour	Page/Page
0101	April 2000/ Avril 2000	Creation of original user guide/ <i>Création du document à l'édition originale</i>	All pages/ <i>Toutes pages</i>

Remarque importante : La version logicielle actuelle n'offre pas la fonction RIP décrite dans ce guide.

Important remark : The current software version does not offer the RIP function described in this guide

COMPACT 155 Mbit/s ADD-DROP MULTIPLEXER

ADR 155C


Installation and User Guide

PORTS SECURITY LEVEL

Port safety level for the 19" subrack access


The connectors are identified on the front panels of the equipment (cards or motherboard).

Connectors	Function	Security level
PWRA/PWRB	Power supply	SELV ¹
PWR	Power supply	SELV
Motherboard		
SYNC	G.703 2 Mbit/s synchronization Ports	SELV
E1 INPUT & E1 OUTPUT	G.703 2 Mbit/s Ports	SELV
MNGT	Other equipment connection	SELV
COMM	VT100 local supervision	SELV
ETH	Ethernet LAN remote supervision	SELV
LOOPS	Loops and remote signaling	SELV
ADR ICI 1.x Card		
TR and REC	G.957 and G.958 STM-1 IC1.1 or IC1.2 Optical	Laser class 1 Dangerless
EOW and AUX	Engineering Order Wire	SELV
ADR LAN1 Card		
ETH	Ethernet Port	SELV
ADR 21E120 Card		
E1 INPUT & E1 OUTPUT	G.703 2 Mbit/s Ports	SELV


 **The 19" subrack must be mounted only in racks with a bottom part that is closed or fitted with a class V1 or HF1 or better air filter, or that stand on a non-flammable floor..**

Safe earth requirement

This equipment must be installed only by skilled personnel. For compliance, the protective earth terminal must be connected to a safe earth with an impedance Z of less than 5 Ohms.

 **Handling precaution:** For any work to be carried out inside the equipment, an antistatic wrist strap must be worn.

Lithium Battery

 **Warning :** If the battery is incorrectly replaced there is a risk of explosion.
Only replace with same type battery or equivalent type recommended by the manufacturer
Dispose of used battery according to manufacturer instructions

In ADR155C, battery replacement may only be done by return Supply Support Department.

¹ Safety Extra Low Voltage Circuit

CONTENTS

CHANGE LIST	0-2
<i>SECTION A : Installation and user guide</i>	<i>A0-1 to AA-6</i>
PORTS SECURITY LEVEL	A0-2
CONTENTS	A0-3 to A0-4
1. INSTALLATION AND COMMISSIONING	A1-1 to A1-28
1.1 - General	A1-1
1.2 - Subrack installation	A1-3
1.3 - Connecting ports	A1-4
1.3.1 - Connecting Power Supply	A1-4
1.3.2 - Connecting on motherboard	A1-7
1.3.3 - Connecting on the ADR IC1.x card	A1-13
1.3.4 - Connecting on ADR LAN1 card	A1-16
1.3.5 - Connecting on ADR 21E120 card	A1-17
1.3.6 - 75 Ω connecting strip	A1-18
1.4 - Commissioning	A1-20
1.4.1 - Configuration required	A1-22
1.4.2 - Parameterizing the communication function	A1-22
1.4.3 - Using HTTP navigator	A1-26
Figure 1-1 ADR155C Subrack Installation	A1-2
Figure 1-2 Connecting power supply ports	A1-5
Figure 1-3 Connecting motherboard inputs	A1-6
Figure 1-4 Connecting ADR IC1.x card inputs	A1-12
Figure 1-5 Connecting ADR LAN1 card input	A1-16
Figure 1-6 Connecting ADR 21E120 card input	A1-17
Figure 1-7 75 Ω connecting strip	A1-18
Figure 1-8 Commissioning procedure for ADR155C network	A1-19
Figure 1-9 Examples of the communication function configuration	A1-21
Figure 1-10 Menu structure	A1-27
2. OPERATION.....	A2-1 to A2-20
2.1 - Functional description	A2-1
2.2 - General	A2-2
2.3 - Operational parameters	A2-2
2.4 - Predefined functions	A2-9
2.5 - Alarms processing	A2-12
2.6 - Performance processing	A2-17
2.7 - Procedure for replacing subassemblies	A2-19

Figure 2-1	Synchronization from the 2 MHz external sync input (T3)	A2-10
Figure 2-2	Synchronization from the 2 MHz port	A2-10
Figure 2-3	Remote loopback function (registering alarms on central site)	A2-11

Tables 2-1 to 2-6	Configuration parameters	A2-2 to A2-7
Tables 2-7 to 2-8	Commands	A2-8 to A2-9
Tables 2-9 to 2-10	Alarms and severity	A2-13 to A2-14

3. SPARE PARTS..... A3-1 to A3-2

4. SPECIFICATIONS..... A4-1 to A4-2

ANNEX A - CONSTRUCTING AN IP NETWORK ADDRESSING PLAN AA-1 to AA-6

A.1	- Preamble	AA-1
A.2	- Addressing IP	AA-2
A.3	- Addressing plan	AA-3
A.4	- Use of static tables	AA-3
A.5	- Use of RIP routing demon	AA-5

SECTION B : Guide d'installation et d'utilisation B0-1 à BA-6

1. INSTALLATION AND COMMISSIONING

1.1 - General

The ADR 155C is an optical STM-1 add-drop multiplexer used to build STM-1 point-to-point links, STM-1 rings, or mesh networks with conduct (SNC) or line (MSP) protection, so performing the conveyance of links at 2 Mbit/s, Ethernet, STM-1.

The ADR 155C can be used as:

- STM-1 terminal multiplexer with maximum capacity of 63 VC12 and capability of 1+1 protection,
- STM-1 repeater, capability of regenerating 2 VC4,
- STM1 multiplexer with insertion/extraction, with maximum capacity of 4 STM-1 and insertion/extraction of 21 VC12
- LAN interconnection point (in exclusive function up to 3 remote links totalling 3 VC3 used).

This equipment is managed from a HTTP navigator:

- either locally, via its dedicated Ethernet interface
- or remotely by teleoperation
- or from the IONOS-ANM network manager; in this last case, using the SNMP protocol also allows global network supervision.

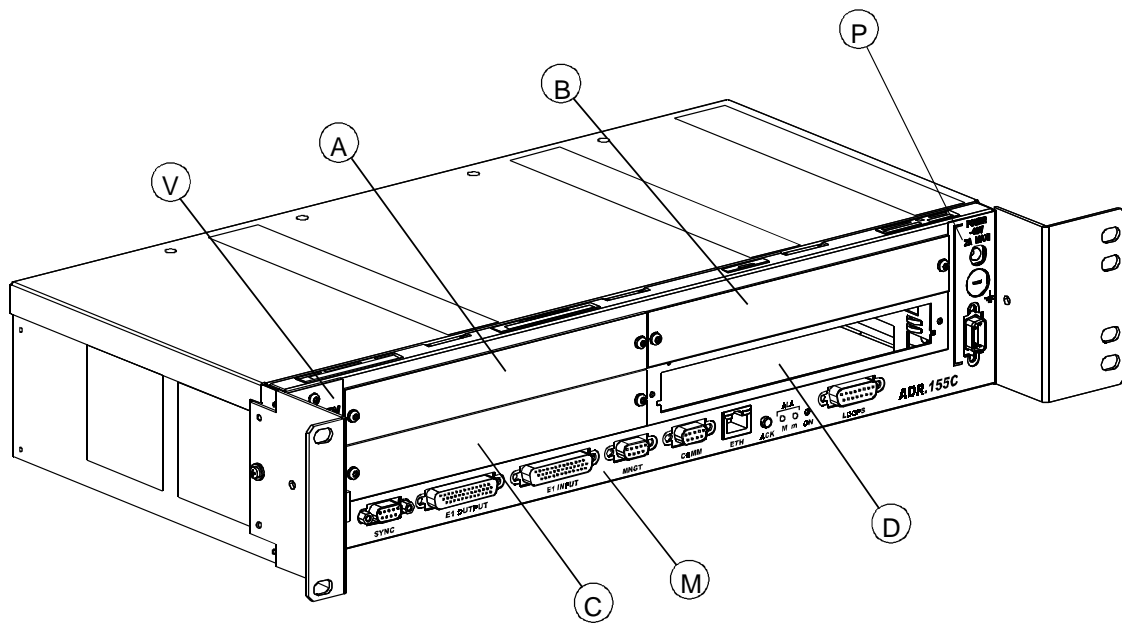
Using a local terminal with VT100 emulation is necessary on the first commissioning, for the configuration of communication parameters.

Management network connections are performed via DCC D1 to D3 (or D4 to D12) of the STM1 or on Ethernet (ETH) or P (MNGT) interfaces of the equipment.

The ADR155C is placed in 19" racks or ETSI frames. It consists of:

- a 2U subrack fitted with a motherboard grouping together the basic functions of the equipment, a backplane and a secured 48V DC power supply,
- an ADRFAN module, consisting of two redundant ventilation units,
- four traffic cards:
 - IC1.1 or IC1.2 STM1 optical card (ADR IC1.1 or ADR IC1.2 card) allowing a VC4 connection or 3 VC3 connections or 63 VC12 connections or a combination of VC3/VC12 connections
 - 21 x 2 Mbit/s card, G.703, (ADR21E120 card), allowing 21 VC12 connections
 - Ethernet 10/100 card (LAN1 ADR card), allowing 2 VC3 connections.

1 - INSTALLATION AND COMMISSIONING



ADR 155C Subrack

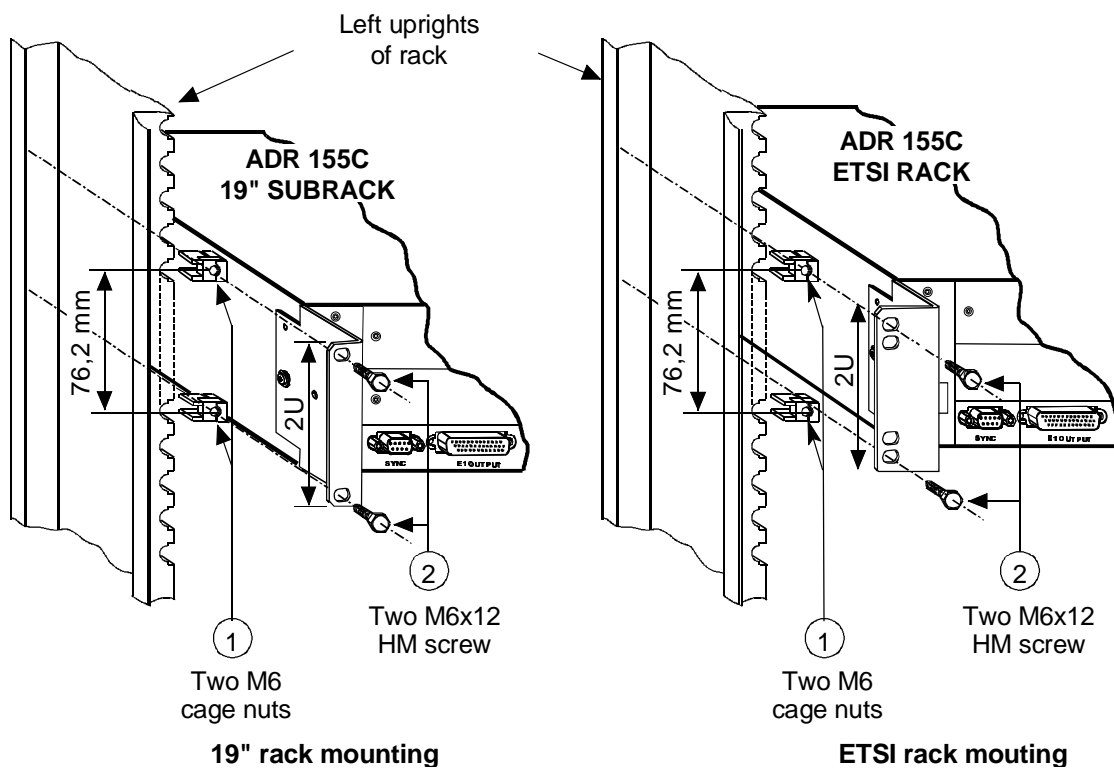


Figure 1-1- ADR155C Subrack Installation

1.2 - Subrack installation

The ADR 155C subrack can be installed in 19" rack or ETSI frame (see Figure 1-1). It consists of:

- a motherboard located in the lower part (item M),
- four non-dedicated slots (items A to D), designed to accommodate the traffic cards,
- a slide located on the left of the subrack designed to accommodate the ventilation module (item V),
- a power supply (item P).

All connections are performed on front panel, either on the subrack, or on the modules.

Installation in a 19" rack

Elements attaching the subrack in 19" rack (brackets, cage nuts and attaching screws), are provided in its package.

The ADR155C has a system of thermal control by ventilation ; during the installation, provide for sufficient space for the ventilation aperture on the left of the subrack, and also for the aeration, at the top and right of the subrack. On the other hand, never hinder the natural air convection on the right side.

Perform the following operations:

- provide a 2U place in the rack for each equipment and a 1U space between equipments,
- secure the attaching brackets for mounting in 19" rack, on either side of the subrack,
- clip, on either side of the rack, two M6 cage nuts (item 1),
- position the 19" subrack back in front of the rack,
- slide the 19" subrack until attaching brackets are in contact with uprights, opposite the 4 cage nuts, and then secure the subrack with 4 M6x12 hex head screws (item 2).

Installation in an ETSI rack

The installation of the subrack in ETSI rack is identical with that in 19" rack.

In this case, use the set of attaching brackets specific for mounting in ETSI rack.

Installation of cards

RECALL: Prior to any operation on the cards, the operator must be provided with an antistatic bracelet.

ADR155C slots are non-dedicated. However, in order to make wiring easier and ensure the homogeneity among sites, it is advisable to proceed as follows:

- position the tributary cards from C clockwise
- position the aggregate cards from D counter-clockwise
- check the ventilation module presence in its reserved slide,
- secure each card through M3 screws of Torx type (6-branch star), using a suited screwdriver.

1.3 - Connecting ports

The connections to be performed on the equipment depend on the configuration chosen:

On the power supply card:

- power supply ports: "PWR" or "PWRA" and/or "PWRB",

On the subrack motherboard strip:

- management ports : "COMM", "ETH" and/or "MNGT"
- Remote indication, remote control and station alarm port : "LOOPS"
- 2Mbit/s G.703 synchronization port : "SYNC"
- 21x2Mbit/s G.703 traffic ports: "E1 INPUT" and "E1 OUTPUT".

Depending on the traffic modules used

- optical STM-1 ports and order wire channels ports,
- Ethernet port
- 21x2Mbit/s G.703 traffic ports.

Connection requirements :

- ⇒ For a right distribution of cords on either side of the subrack, the connections of slots A and C, the 21 2Mbit/s accesses and synchronization access are oriented leftward. All other connections are oriented leftward.
- ⇒ **The run of cords must not hinder the extraction of a module; in particular, connecting cables of the left subrack half is to be secured to the frame with enough backlash to enable the ventilation module to be extracted during a maintenance operation.**

1.3.1 - Connecting Power Supply

- "PWRA" and/or "PWRB" ports, when the equipment is powered from one or two 48 V sources, the power source(s) should be limited to 100 VA.
- . "PWR" port when the equipment is powered from a mains voltage (230 V AC), via an optional 110-240//48V 60W/ transformer.

Observe the following connection requirements :

- ⇒ "PWR" and "PWRA" and/or "PWRB" Power supply ports can be connected simultaneously.
- ⇒ The power cord or the 110-240//48V 60W/ transformer must not be connected to the primary source prior to being connected to the equipment.
- ⇒ The 110-240//48V 60W/ transformer must be mounted far from any heat source, and no traction must be exerted on its connecting wires.

Description of power supply ports

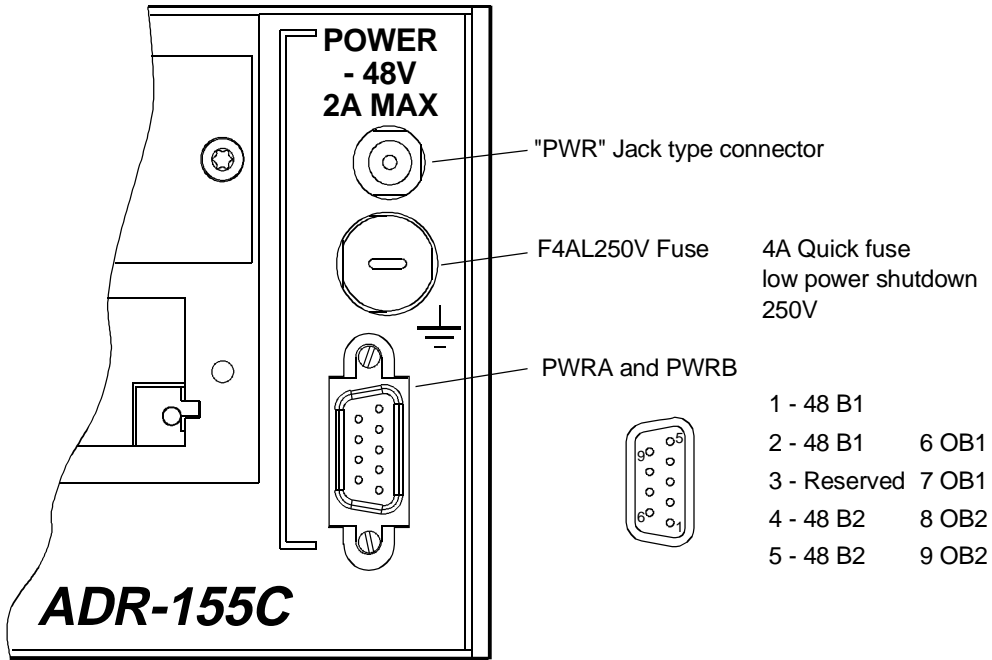
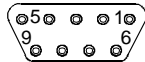


Figure 1-2 – Connecting power supply ports

"PWR A"/"PWR B" power supply interface:

Input voltage : One or two Safety Extra Low Voltage (SELV) type – 48V sources
 Voltage range allowed: - 36 V to - 60 V
 Maximum voltage range : - 36 V to - 72 V
 Power 100 VA maximum
 Connector Male 9-way HE5



Pin N°	Signal name
1	-48B1
6	OB1
2	-48B1
7	OB1
3	Reserved
8	OB2
4	-48B2
9	OB2
5	-48B2

NOTA : The shielding of the connector is connected to the equipment ground

"PWR" power supply interface:

Port Connecting transformer 110-240//48V 60W/
 Connector Jack (core = OB1 and shield = - 48 V1).

1 - INSTALLATION AND COMMISSIONING

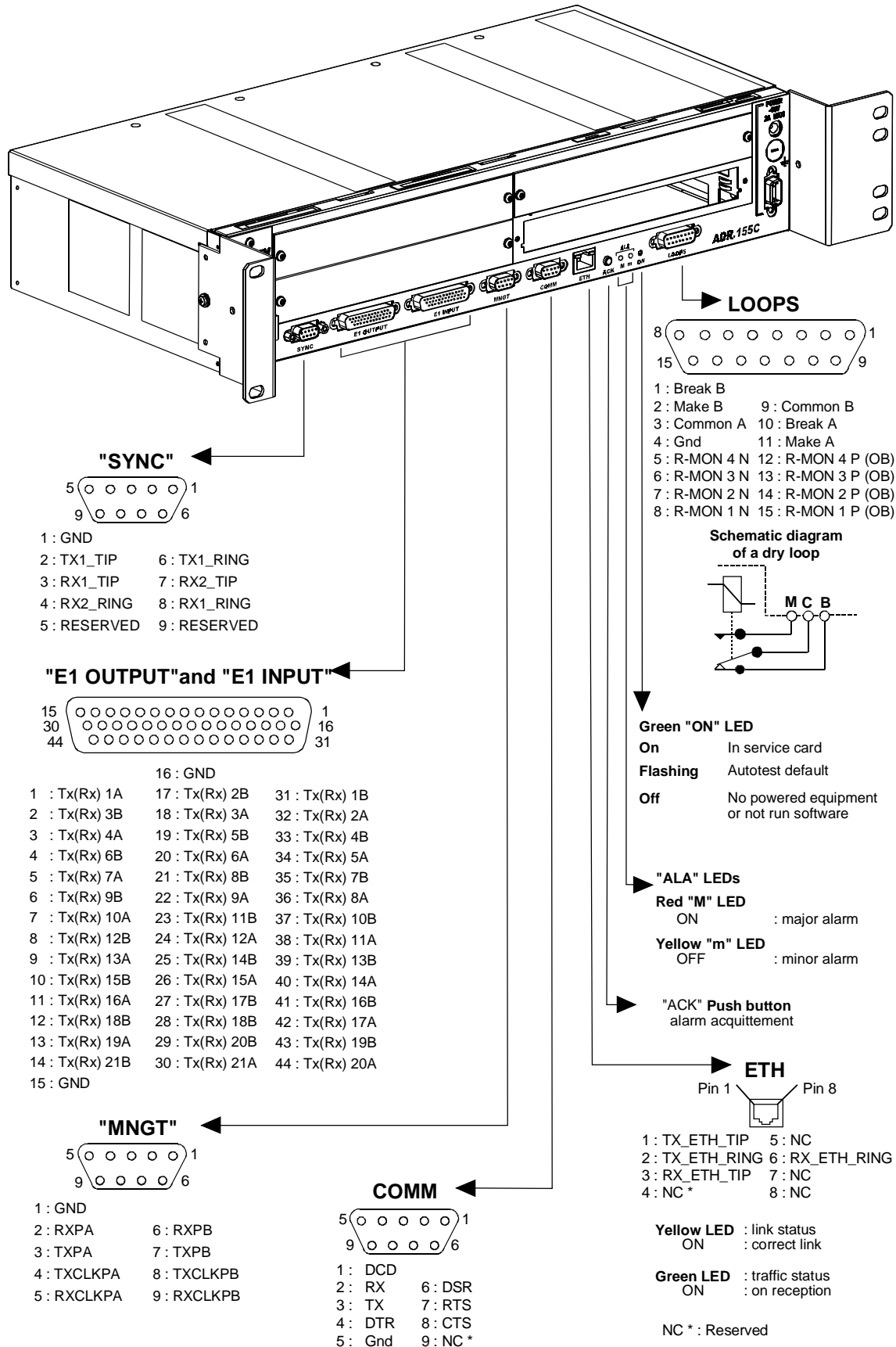


Figure 1-3 – Connecting mother board inputs

1.3.2 - Connecting on motherboard

1.3.2.1 - Remote indication, remote control and station alarm port ("LOOPS")

"LOOPS" Interface:

Ports 4 remote indication inputs for floating contacts (*Local user inputs*), biased to -48 V internally, active when closed and with electrical isolation (loop current = from 1 to 10 mA),
2 dry loop outputs (common, normally closed and normally open) (*Local user outputs*) for station alarm or remote control use (maximum current = 100 mA on resistive load),

Connector Female 15-way HE5



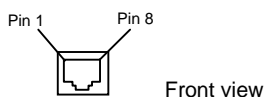
Pin N°	Signal name	Comments
1	BREAK B	Normally closed contact of dry loop B
9	COMMON B	Common contact of dry loop B
2	MAKE B	Normally open contact of dry loop B
10	Break A	Normally closed contact of dry loop A
3	COMMON A	Common contact of dry loop A
11	Make A	Normally open contact of dry loop A
4	GND	Ground
12	R- MON 4 P (OB)	User input N°4
5	R-MON 4 N	
13	R- MON 3 P (OB)	User input N°3
6	R- MON 3 N	
14	R- MON 2 P (OB)	User input N°2
7	R- MON 2 N	
15	R- MON 1 P (OB)	User input N°1
8	R- MON 1 N	

NOTE: OB is the result of a logical "OR" between signals OB1 and OB2 on the "PWR", "PWRA" and "PWRB" power supply interfaces.

"ETH" Interface:

Port Ethernet management interface operating at 10 Mbit/s in half-duplex or full-duplex mode according to the mode used by the interlocutor (dynamic adaptation of the Ethernet port on each new log-in of the interlocutor),

Connector RJ48 Type (RJ45 shielded).



Pin N°	Signal name	Comments
1	TX_ETH_TIP	Output (hot point)
2	TX_ETH_RING	Output (cold point)
3	RX_ETH_TIP	Input (hot point)
4	NC	Reserved
5	NC	Reserved
6	RX_ETH_RING	Input (cold point)
7 and 8	NC	Reserved

1 - INSTALLATION AND COMMISSIONING

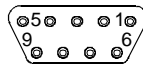
NOTE: Two LEDs are linked to the "ETH" port:

- LED, "Activity", green colour : Traffic status indicator,
- LED, "Link", yellow colour : Link status indicator.

1.3.2.2 - Management and Administration ports

"COMM" Interface:

Ports RS232, connecting VT100 standard console or emulation
 Bit rate 19200 bauds (8 data bits, no parity bit and 1 stop bit),
 Connector Female 9-way HE5



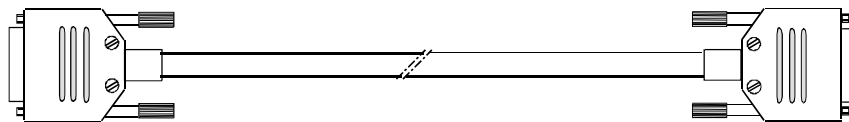
Pin N°	Signal name	Comments
1	DCD	Connected to DSR
6	DSR	Data Set Ready (to DCE)*
2	RX	Received data (to DCE)*
7	RTS	Request To Send (from DCE)*
3	TX	Transmitted data (from DCE)*
8	CTS	Clear To Send (to DCE)*
4	DTR	Data Terminal Ready (from DCE)*
9	RI	Ring Indicator (not connected)
5	GND	Ground

* The ADR155C is seen as DCE

Connection cable See below.

Equipment side
"COMM"

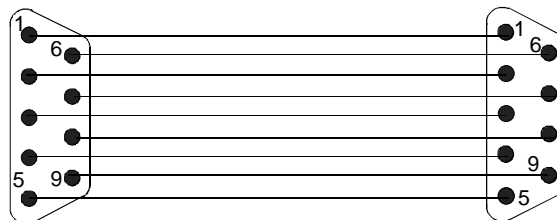
VT100 or PC
side



Male 9-way connector

Female 9-way connector

Wiring diagram

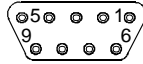


"MNGT" Interface:

Port V.11 synchronous (differential) interconnection possible with other SAGEM equipment ADR155C, FOT 155C, through serial synchronous links used in codirectional mode at 64 kbit/s or master contra-directional mode (rate defined by the ADR 155C)

Bit rate 64 kbit/s,

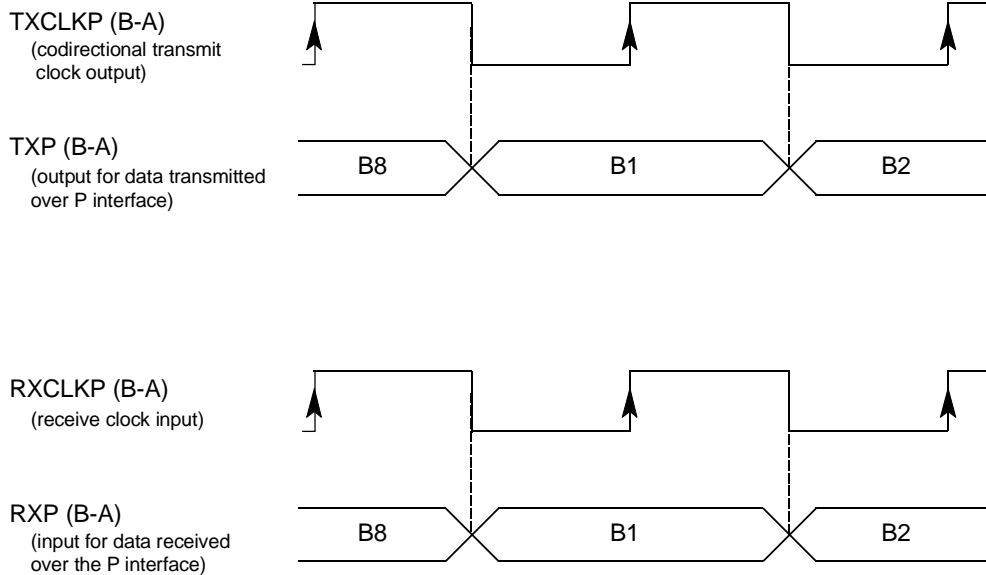
Connector Female 9-way HE5.



Pin N°	Signal name	Polarity	Comments
1	GND		Ground (no connected)
6	RXPB	(+)	Input for data received over the P interface and sampled on the rising edge of receive clock RXCLKP (B-A)
2	RXPA	(-)	
7	TXPB	(+)	Output for data sent over the P interface on the falling edge of transmit clock TXCLKP (B-A)
3	TXPA	(-)	
8	TXCLKPB	(+)	Output for transmit clock; in codirectional mode, the transmit clock timing is derived from the equipment's internal timing
4	TXCLKPA	(-)	
9	RXCLKPB	(+)	Receive clock input
5	RXCLKPA	(-)	

*In slave contradirectional mode (coming) TXCLK signals are inputs.

Timing diagram for the "MNGT" interface in codirectional mode (64 kbit/s synchronous use):

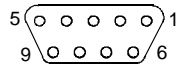


1 - INSTALLATION AND COMMISSIONING

1.3.2.3 - G.703 2 Mbit/s Synchronization port

"SYNC" Interface

Ports	Two G.703 2MHz external synchronization inputs (T3) and one G.703 2MHz clock output (T4) compliant with ITU-T G.703 Recommendation (§ 10.3 for input port, § tab.10 for output port)
Bit rate	2,048 Mbit/s ± 50 ppm,
Impedance	120 Ω balanced,
Connector	Female 9-way HE5 (120 Ω).



Pin N°	Signal name	Comments
1	GND	Ground
6	TX1 RING (T4-)	Output T4-1 (cold point)
2	TX1 TIP (T4+)	Output T4-1 (hot point)
7	RX2 TIP (T3+)	Input T3-2 (hot point)
3	RX1 TIP (T3+)	Input T3-1 (hot point)
8	RX1 RING (T3-)	Input T3-1 (cold point)
4	RX2 RING (T3-)	Input T3-2 (cold point)
9	NC	Reserved
5	NC	Reserved

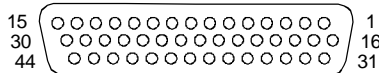
NOTA : The shielding of the connector case is connected to the subrack front panel ground

1.3.2.4 - G.703, 21 x 2 Mbit/s traffic port

"E1 INPUT" and "E1 OUTPUT" Interface

ports	21 x 2 Mbit/s traffic ports compliant with the ITU-T G.703 Recommendation (§ 6.3 for input port, § tab.6 for output port)
Bit rate	2,048 Mbit/s ± 50 ppm,
Code	HDB3,
Impedance	120 Ω balanced,
Connector	SUB D HD female 44 pins supporting L907 cable (21 ports).

This interface uses two connectors : E1 INPUT connector for inputs (named RX) and E1 OUTPUT connector for outputs (named TX)

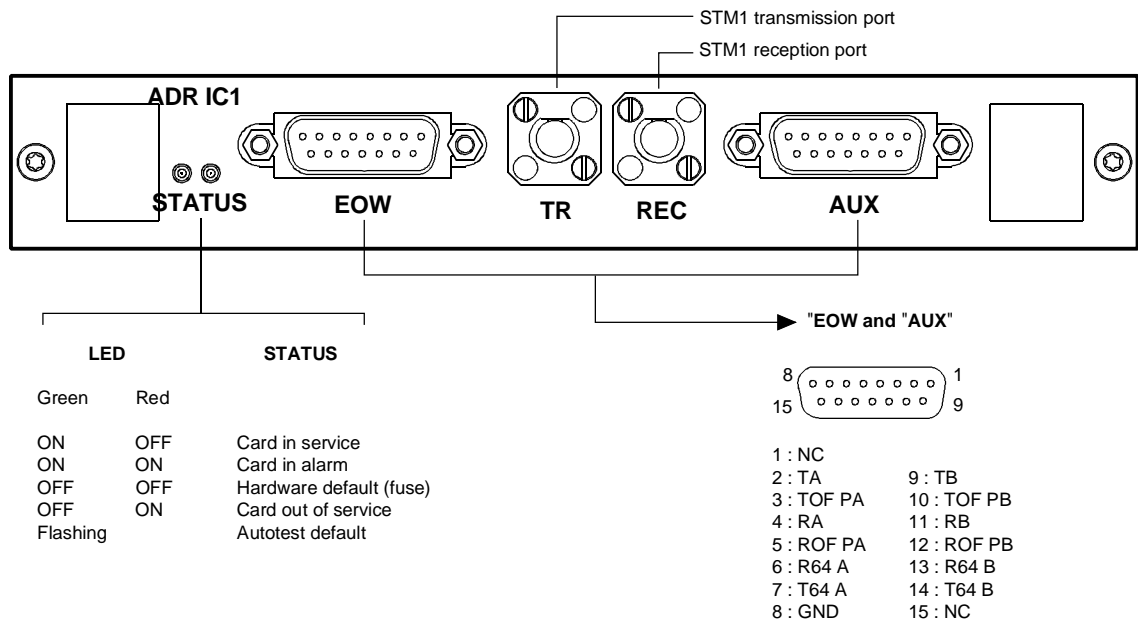


1 - INSTALLATION AND COMMISSIONING

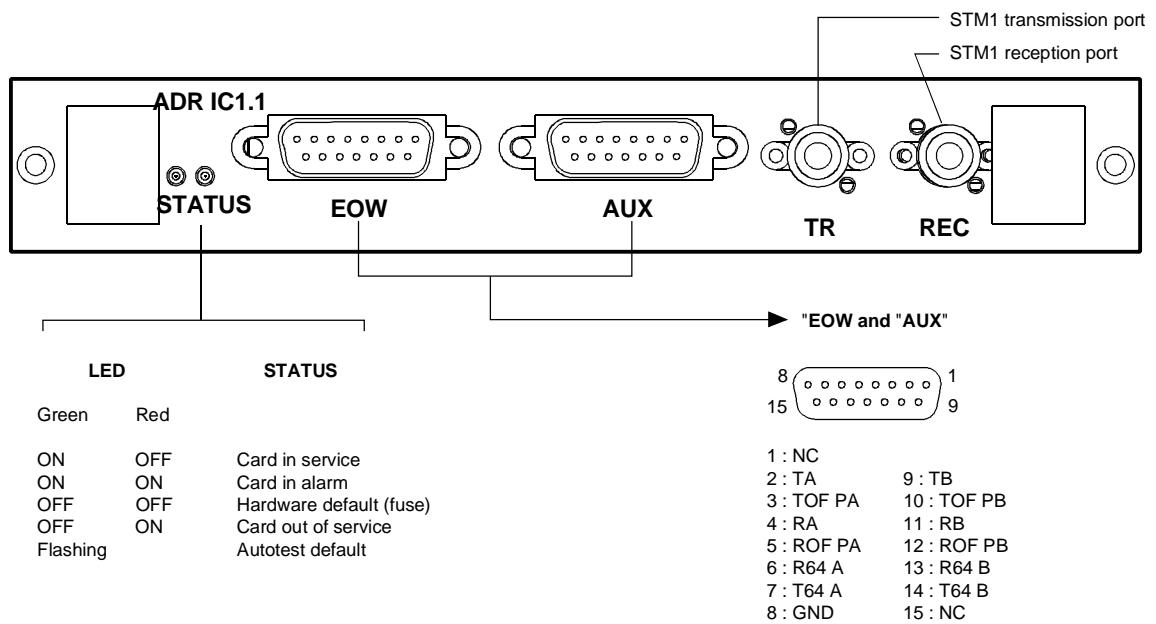
Pin N°		Ports	Signal name	Comments
	16		GND	ground
1		1	TX(RX) 1B	Output (Input) 2 Mbit/s (hot point)
			31	TX(RX) 1A
	17	2	TX(RX) 2B	Output (Input) 2 Mbit/s (hot point)
			32	TX(RX) 2A
2		3	TX(RX) 3B	Output (Input) 2 Mbit/s (hot point)
	18			TX(RX)3A
3		4	TX(RX) 4B	Output (Input) 2 Mbit/s (hot point)
			33	TX(RX) 4A
4	19	5	TX(RX) 5B	Output (Input) 2 Mbit/s (hot point)
			34	TX(RX) 5A
	20	6	TX(RX) 6B	Output (Input) 2 Mbit/s (hot point)
				TX(RX) 6A
5		7	TX(RX) 7B	Output (Input) 2 Mbit/s (hot point)
			35	TX(RX) 7A
	21	8	TX(RX) 8B	Output (Input) 2 Mbit/s (hot point)
			36	TX(RX) 8A
6		9	TX(RX) 9B	Output (Input) 2 Mbit/s (hot point)
	22			TX(RX) 9A
7		10	TX(RX) 10B	Output (Input) 2 Mbit/s (hot point)
			37	TX(RX) 10A
	23	11	TX(RX) 11B	Output (Input) 2 Mbit/s (hot point)
			38	TX(RX) 11A
8		12	TX(RX) 12B	Output (Input) 2 Mbit/s (hot point)
	24			TX(RX) 12A
9		13	TX(RX) 13B	Output (Input) 2 Mbit/s (hot point)
			39	TX(RX) 13A
10	25	14	TX(RX) 14B	Output (Input) 2 Mbit/s (hot point)
			40	TX(RX) 14A
	26	15	TX(RX) 15B	Output (Input) 2 Mbit/s (hot point)
				TX(RX) 15A
11		16	TX(RX) 16B	Output (Input) 2 Mbit/s (hot point)
			41	TX(RX) 16A
12	27	17	TX(RX) 17B	Output (Input) 2 Mbit/s (hot point)
			42	TX(RX) 17A
	28	18	TX(RX) 18B	Output (Input) 2 Mbit/s (hot point)
				TX(RX) 18A
13		19	TX(RX) 19B	Output (Input) 2 Mbit/s (hot point)
			43	TX(RX) 19A
	29	20	TX(RX) 20B	Output (Input) 2 Mbit/s (hot point)
			44	TX(RX) 20A
14		21	TX(RX) 21B	Output (Input) 2 Mbit/s (hot point)
	30			TX(RX) 21A
15			GND	Ground

NOTA : The shielding of the connector case is connected to the subrack front panel ground

1 - INSTALLATION AND COMMISSIONING



Version 1



NC: Reserved

Version 2

Figure 1-4 - Connecting ADR IC1.x card inputs

1.3.3 - Connecting on the ADR IC1.x card

Each ADR IC1.x module provides connection for:

- an STM1 interface ("TR" transmission port and "REC" reception port)
- two order wire channels at 64 kbit/s (named "EOW" and "AUX"), which, by default, are conveyed in E1 and F1 bytes of the SOH, respectively.

1.3.3.1 - Connecting STM1 interface

Remove the contact protection connector,

Connect STM-1 interface to front panel FC/PC connectors:

- ⇒ Transmission TR Connector
- ⇒ Reception REC Connector

"TR" and "REC" ports:

Interface Type	IC 1.1 = L 1.1 + S 1.1 or IC 1.2 = L 1.2 + S 1.2,
Bit rate	155.520 Mbit/s ± 15 ppm,
Standart	ITU-T G.957/G.958,
Encoding	Not encoded (NRZ),
Optical fiber*	Single mode (1300 nm (IC1.1) or 1550 nm (IC1.2), ITU-T G.652),
Transmit optical power	-5 to 0 dBm
Max. receive power	0 dBm
Sensibility at 10 ⁻¹⁰	- 34 dB
garanteed Attenuation	0 - 28 dB with no external attenuator,
Typical range	0 - 60 km (IC1.1) or 0 - 90 km (IC1.2),
Connector	all ceramic FC/PC

* : It is possible to use a multi-mode optical fiber with diameter smaller than or equal to 62.5 microns. The optical budget is then reduced to 25 % of the optical budget obtained with a mono-mode optical fiber. The transmission optical fiber is mono-mode type and the reception optical fiber is multi-mode type.

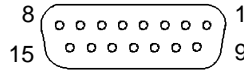
1.3.3.2 - Connecting order-wire channels

"EOW" and "AUX" Interface:

Port	synchronous V.11 (differential),
Bit rate	64 kbit/s,

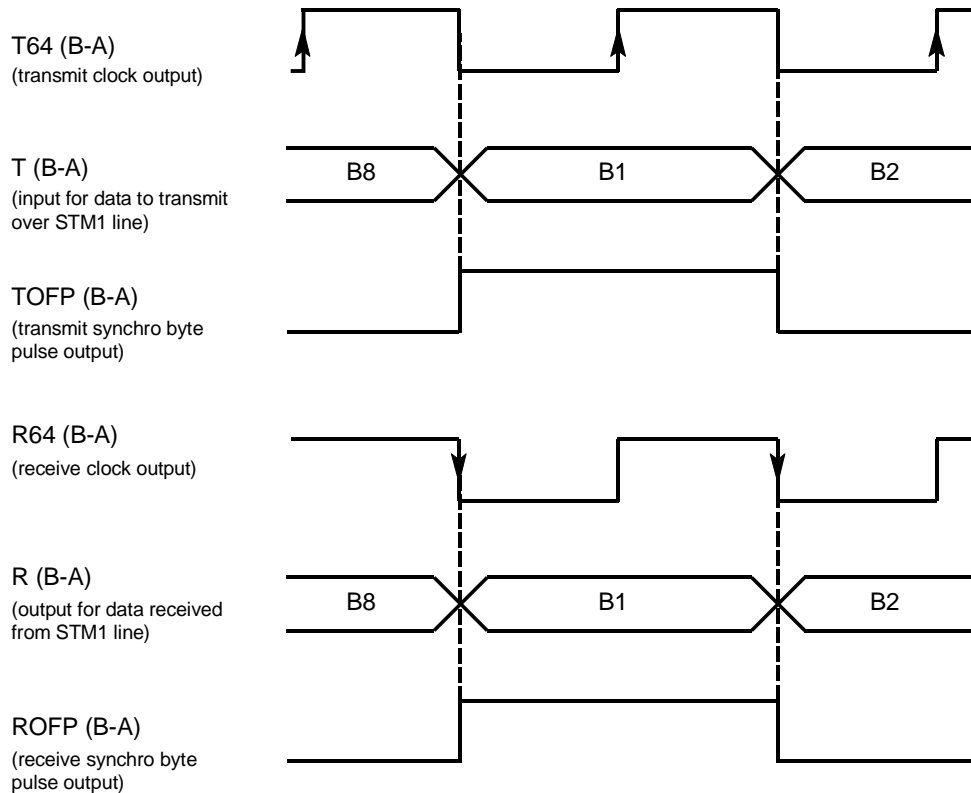
1 - INSTALLATION AND COMMISSIONING

Connector Female 15-way HE5.



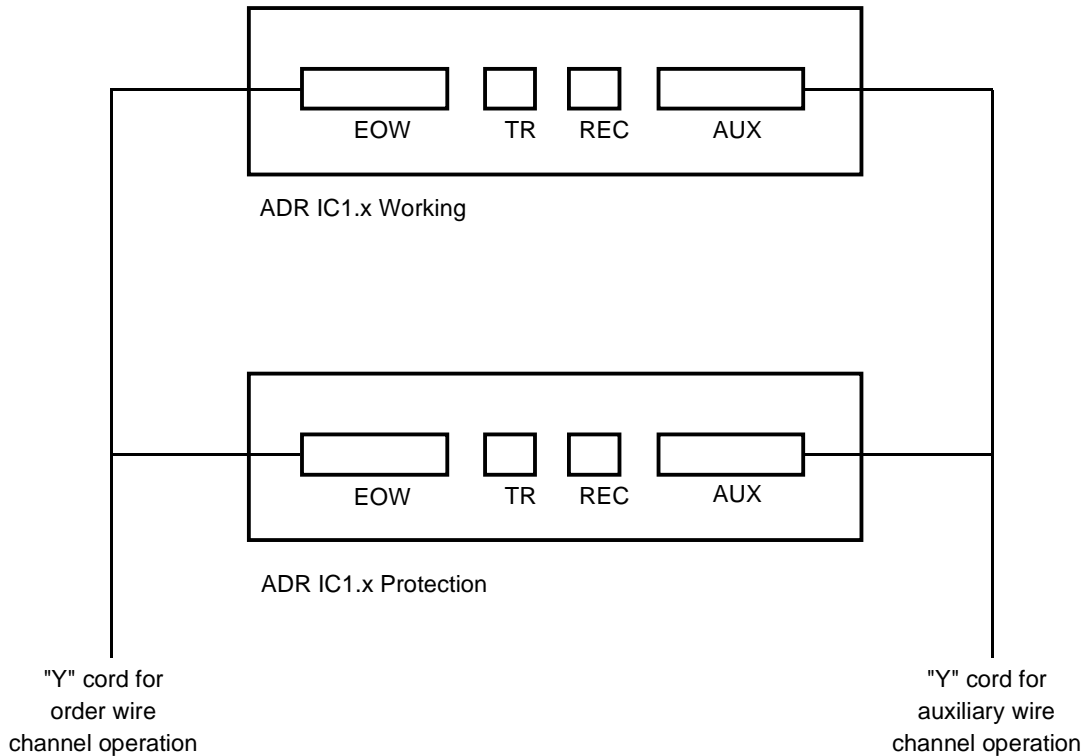
Pin N°	Signal name	Polarity	Comments
1	-		Not connected
9	TB	(+)	Input for data to send over the STM-1 line and sampled on the rising edge of clock T64 (B-A)
2	TA	(-)	
10	TOFPB	(+)	Transmit mode byte sync output indicating the positioning of bit 1 and sent on the rising edge of clock T64 (B-A)
3	TOFPA	(-)	
11	RB	(+)	Output for data extracted from STM-1 line and sampled on the falling edge of clock T64 (B-A)
4	RA	(-)	
12	ROFPB	(+)	Receive mode byte sync output indicating the setting of bit 1 and sent on the falling edge of clock T64 (B-A)
5	ROFPA	(-)	
13	R64B	(+)	64 kHz receive clock output
6	R64A	(-)	
14	T64B	(+)	64 kHz transmit clock output
7	T64A	(-)	
15	-		Not connected
8			Ground

Timing diagram for the "EOW/AUX" interface in contra-directional mode (64 kbit/s synchronous use):



1.3.3.3 – Connecting with MSP operation

As EOW and AUX ports are physically integral with ADR IC1.x, operating the order wire and auxiliary channels with MSP protection requires the use of a "Y" cord electrically connecting, one by one, identically, the signals of EOW and AUX connectors.



Likewise, in order to ensure a good behaviour during the changeover from one module to the other, the operator should take care to keep identical configurations on both ADR IC1.x cards; a warning message appears in case of modification.

Only the connections are not identical. There must be no connections on the "Protection" module, as in all the connections are made to the "Working" module.

1.3.4 - Connecting on ADR LAN1 card

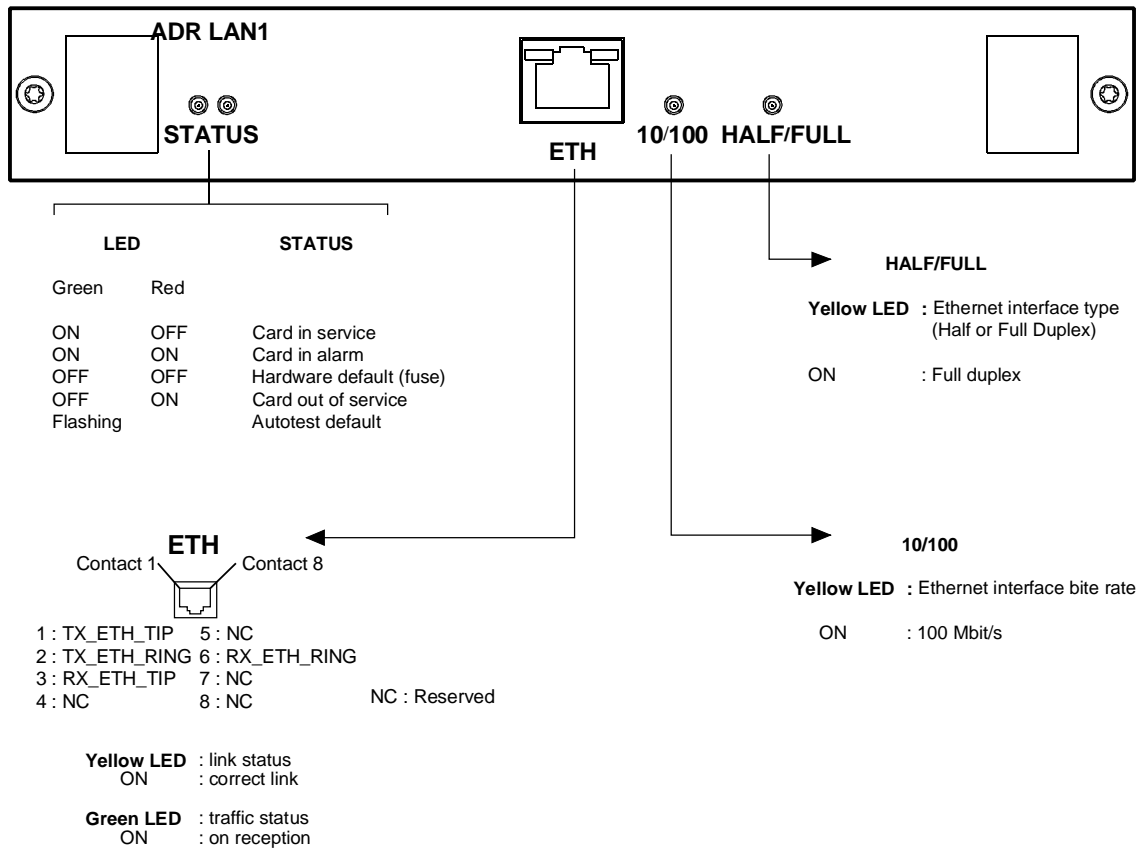
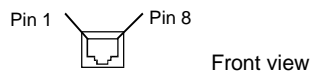


Figure 1-5 – Connecting ADR LAN1 card input

"ETH" Interface :

Port Traffic Ethernet interface operating at 10 or 100 Mbit/s in half-duplex or full-duplex mode according to the mode used by the interlocutor (dynamic adaptation of the Ethernet port on each new log-in of the interlocutor),

Connector Ethernet 10 or 100 BaseT - RJ48 Type (Shielded RJ45).



Pin N°	Signal name	Comments
1	TX_ETH_TIP	Ethernet output (hot point)
2	TX_ETH_RING	Ethernet output (cold point)
3	RX_ETH_TIP	Ethernet input (hot point)
4	NC	Reserved
5	NC	Reserved
6	RX_ETH_RING	Ethernet input (cold point)
7 and 8	NC	Reserved

NOTE: Two LEDs are linked to the "ETH" interface:

- LED, "Activity", green colour : Traffic status indicator,
- LED, "Link", yellow colour : Link status indicator.

Electrical characteristics compliant with the IEEE 802.3U

1.3.5 - Connecting on ADR 21E120 card

2 Mbit/s traffic connections, performed on "E1 INPUT" and "E1 OUTPUT" ports on the ADR21E120 card are identical with those performed on "E1 INPUT" and "E1 OUTPUT" ports on the front side of the motherboard (see § 1.3.2.4)

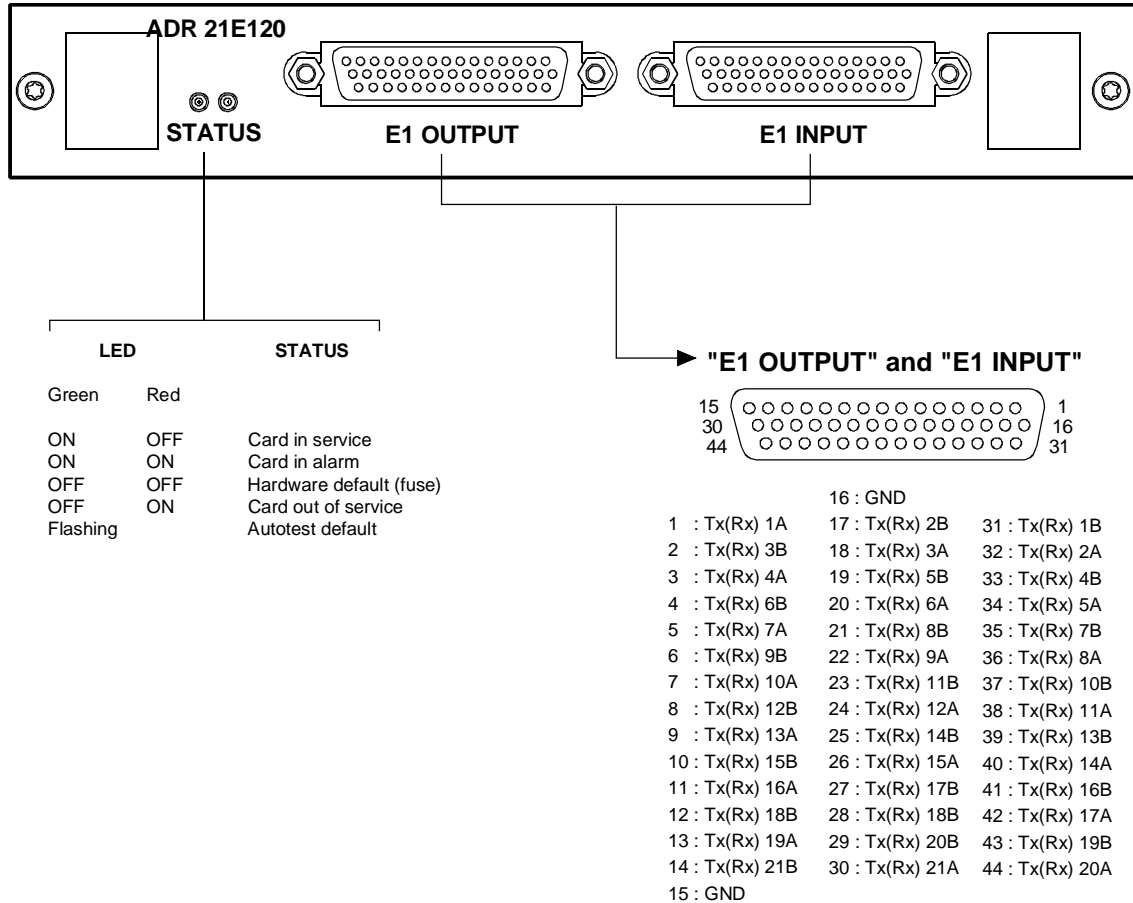


Figure 1-6 – Connecting ADR 21E120 card inputs

1.3.6 - 75 Ω connecting strip

Drafting TBD

Figure 1-7 - 75 Ω connecting strip

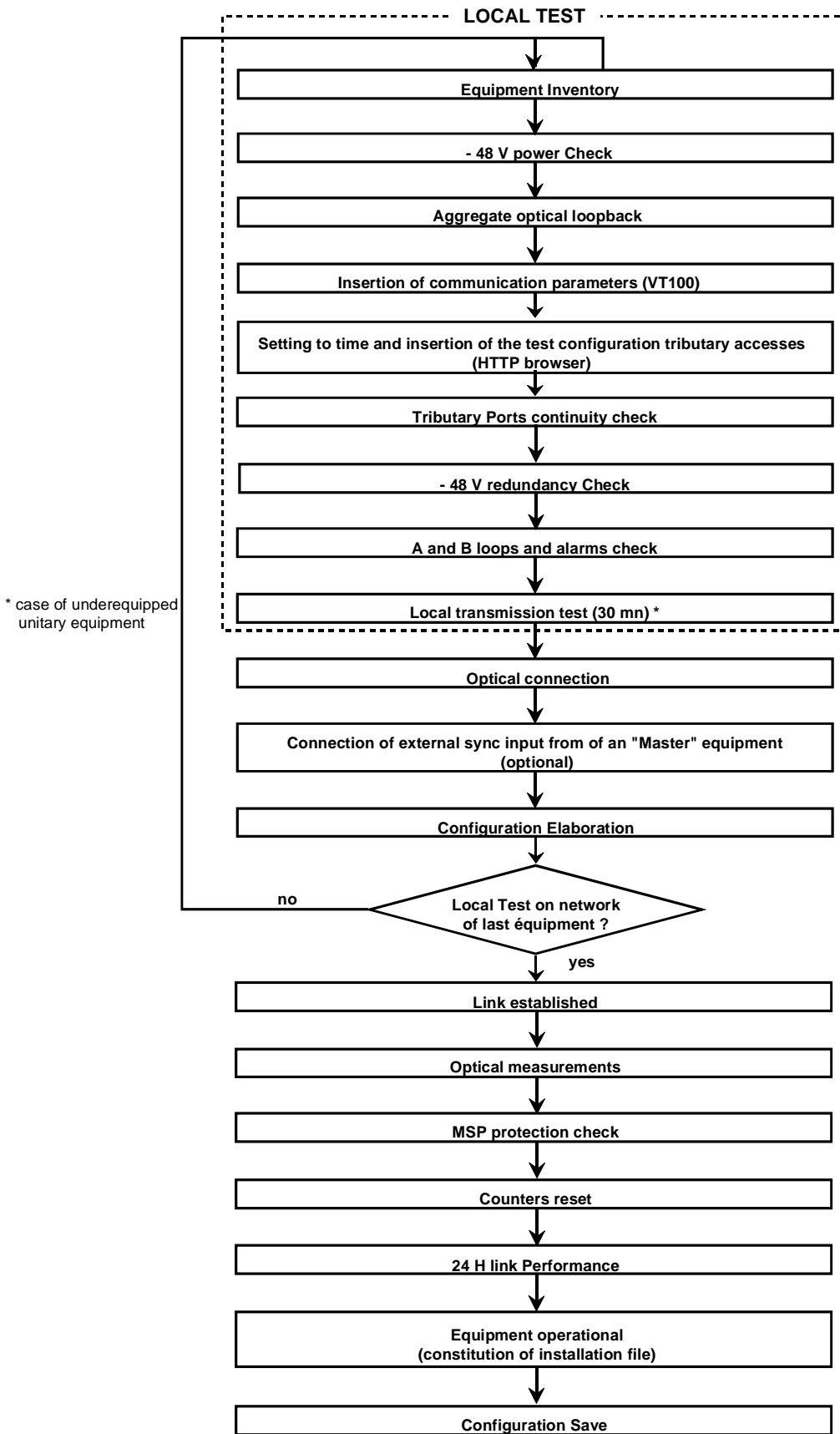


Figure 1-8 – Commissioning procedure for ADR155C network

1.4 - Commissioning

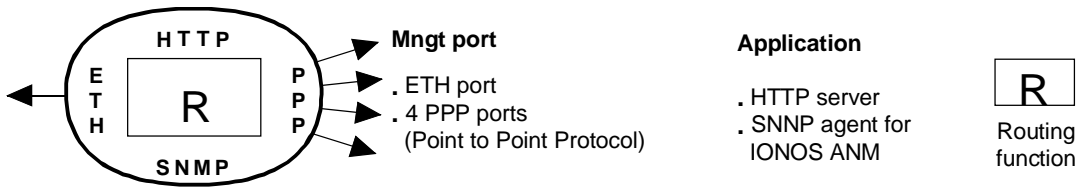
NOTE: The equipment can be operated from a PC fitted with VT100 emulation and HTTP navigator; its minimum configuration is defined in section 1.4.1.

A local terminal with VT100 emulation is indispensable during the first commissioning, in order to be able to access the equipment via the management function; however, this terminal only enables the communication function to be parameterized.

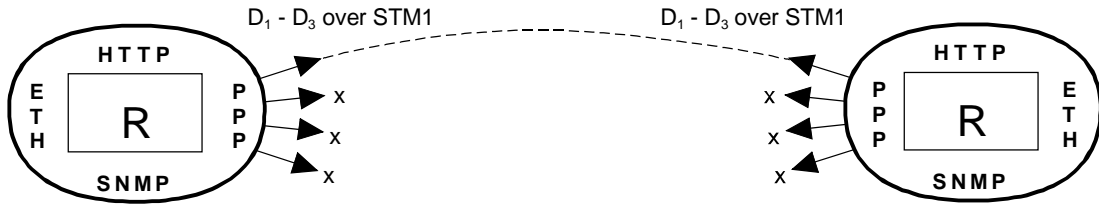
Procedure.

- ☞ On the first commissioning, the equipment scans its constitution and considers it as the expected configuration, in service, not monitored. It is thus advisable to insert the traffic cards before power-up, in order to speed up the commissioning.
- ☞ Switch on the power supply connected to the equipment.
- ☞ The equipment conducts self-tests:
 - When self-tests have run correctly, the "**ON**" indicator light is illuminating,
 - In the opposite case, an indicator flashing code defines the faulty self-test (contact the hotline).
- ☞ Parameterize the communication interface, using the VT100 (see § 1.4.1).
- ☞ Using the HTTP navigator, (see § 1.4.3).
 - Update the equipment time and date
 - Set each card under monitoring: validate the "**Monitoring**" command.
- ☞ Connect the 2 Mbit/s and/or Ethernet ports, according to the equipment composition,
- ☞ Connect the AUX and EOW ports required.
- ☞ Download a predefined configuration or prepare the desired configuration, using the HTTP navigator:
 - Create the connections
 - Establish the wished protection (MSP protection, SNC protection ...)
 - Choose the synchronization source, and change its parameters if required.
 - Change, if necessary, the configuration parameters and the alarm configuration.
The default configuration of the various parameters is provided by § 2.1.1.
- ☞ Conduct the tests on STM-1 links, complying with the process described in Figure 1-2.
- ☞ From that moment, the equipment is operational.
- ☞ Operating alarms can signal a wrong connection of interfaces. Check the connection of ports, the alarms corresponding to the connected ports, and correct any problems that may arise.
- ☞ Save configuration.

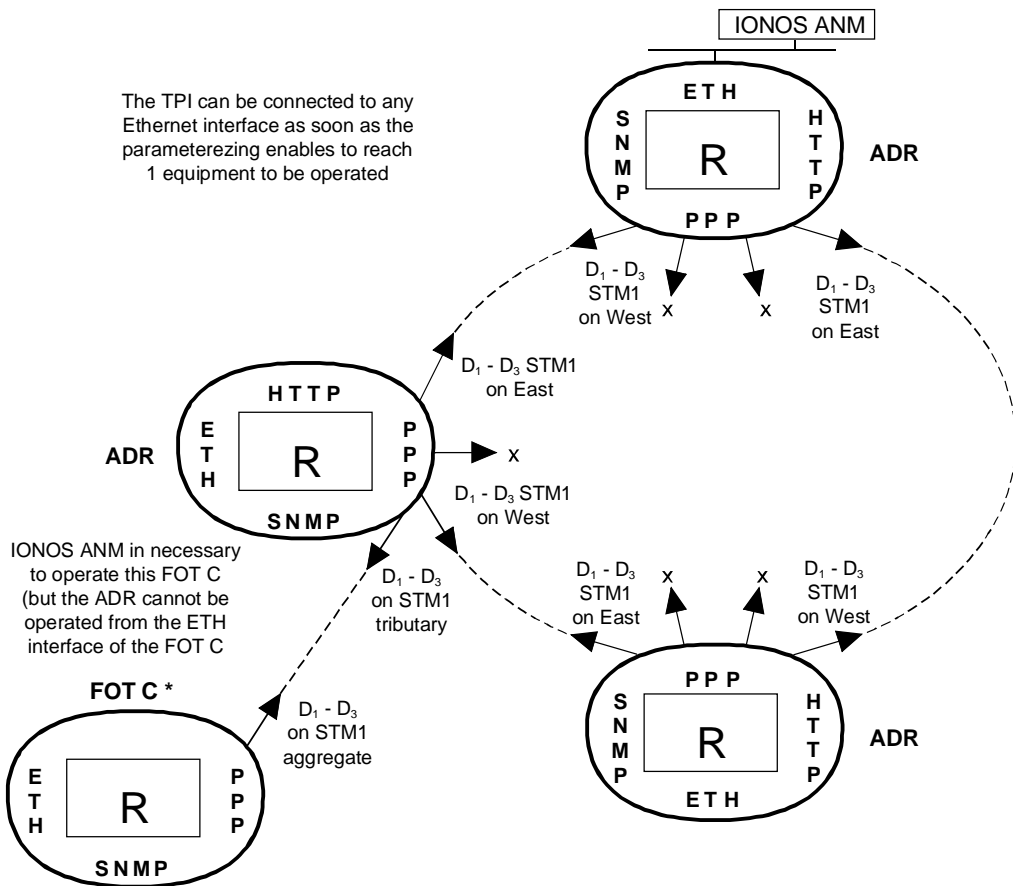
REMARK: It is possible, once the commissioning is performed, to connect additional 2 Mbit/s G.703, Ethernet or STM1 ports, and to insert or extract powered cards.



Communication function over an ADR 155C



Example 1 : communication over a point to point link



Example 2 : communication over an ADR 155C and FOT 155C ring

Figure 1-9 – Examples of the communication function configuration

1.4.1 - Configuration required

The minimum configuration proposed for the operating PC is as follows:

<i>Description</i>	<i>Configuration 1</i>	<i>Configuration 2</i>
Processor	266 MHz Pentium	
Memory	32 MB	64 MB
Display	800x600, 256 colours (1024x768 recommended)	
Interface	Serial RS232 interface Ethernet 10 base T network card	
Operating system	Windows 95	Windows NT4
Applications	Hyperterminal for Windows HTTP navigator: Netscape Communicator 4.5	

1.4.2 - Parameterizing the communication function

Figure 1-9 presents the available resources and various configurations possible for the communication function;

- ☞ Connect "**COMM**" port of the equipment to a "COM" port not used on the PC with VT100 emulation,
- ☞ Power the PC on,
- ☞ Start the Hyper Terminal application
 - on the first use, proceed as follows:
 - connect "**COMM**" port of the equipment to a "COM" port not used on the PC,
 - power the PC on,
 - select, in succession, from Windows desktop, the Start, Programs, Accessories and HyperTerminal command buttons,
 - choose the icon representative of the HyperTerminal application,
 - a description window for the connection appears; give a name for the connection and validate your choices,
 - a new window appears; choose that PC "COM" port which is connected to the equipment and validate your choice,
 - a new window appears; configure the port parameters as indicated below and validate the programming :
 - . Bits per second : 19200,
 - . Data bits : 8,
 - . Parity : no parity,
 - . Stop bits : 1,
 - . Flow control : none,
 - save the connection (Save command in the application File menu).

NOTE: On the next opening of "Hyperterminal" application, choosing the connection icon will be enough to be logged on the equipment.

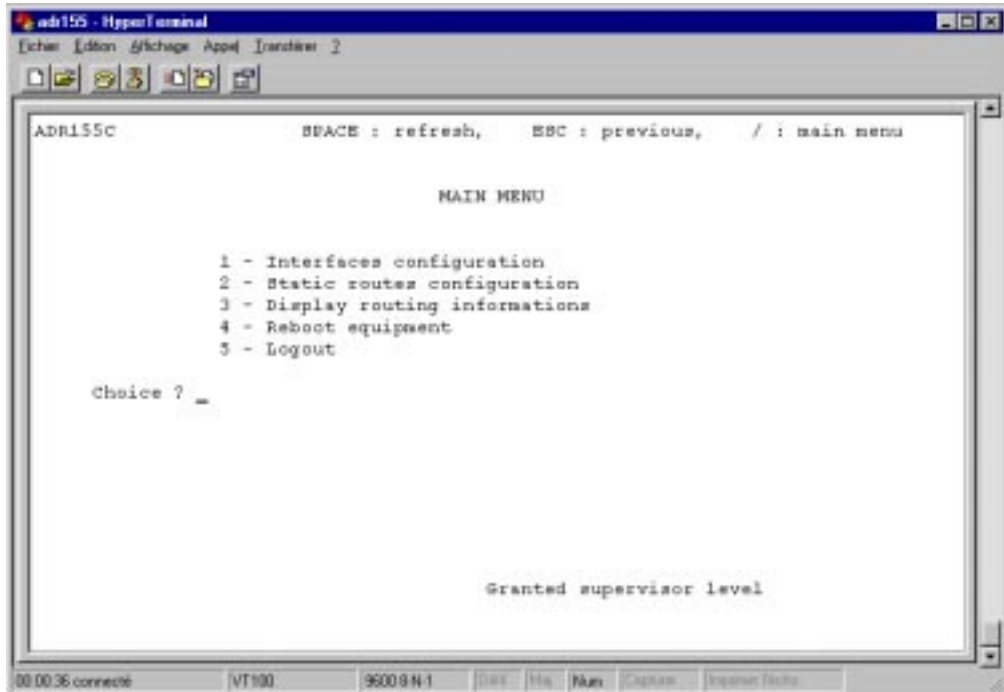
On the equipment power-up, the operating menu appears.

To exit the "Hyperterminal" application, select Quit command from File menu.

- ☞ Open a session and enter your password (to parameterize the communication function, it is indispensable to have "supervisor" rights).

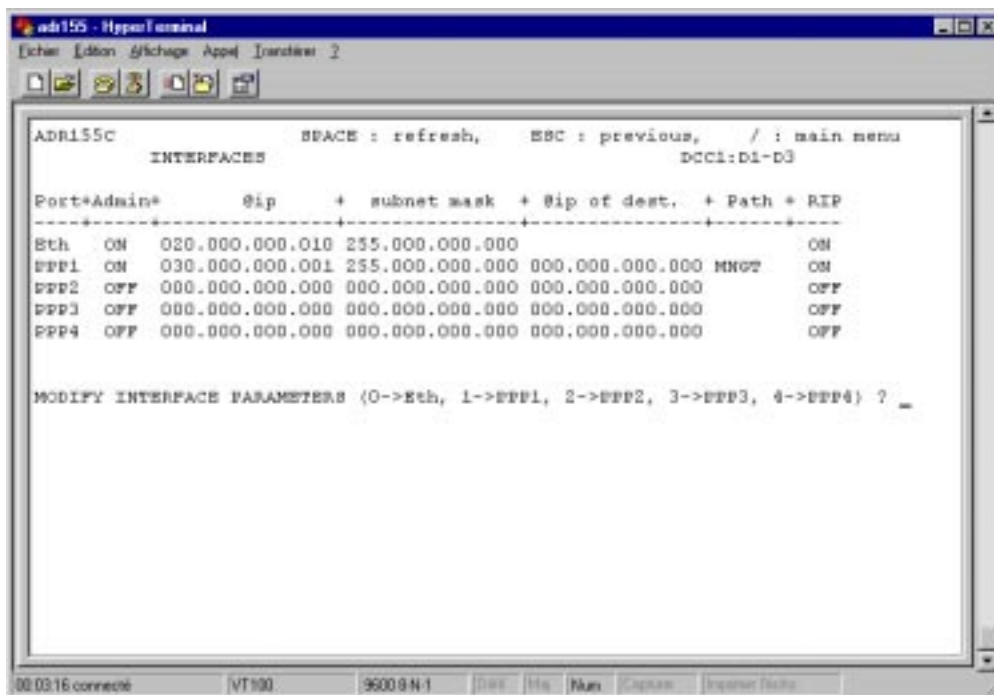
NOTE : By default, on the first commissioning, the password is empty.

- ☞ The following menu appears:



To select a command, type the command number in "**Choice ?**" text zone, and press "ENTER" key to validate your choice.

- ☞ Choice "1" : Configuration of communication interface,



1 - INSTALLATION AND COMMISSIONING

The screen displays the 5 communication interfaces possible, with their characteristics, and proposes to change each of them by turns. These interfaces are:

- an Ethernet port –ETH
- 4 PPP (Point to Point Protocol) portes – PPP1 to PPP4 - to be chosen from the following management paths:

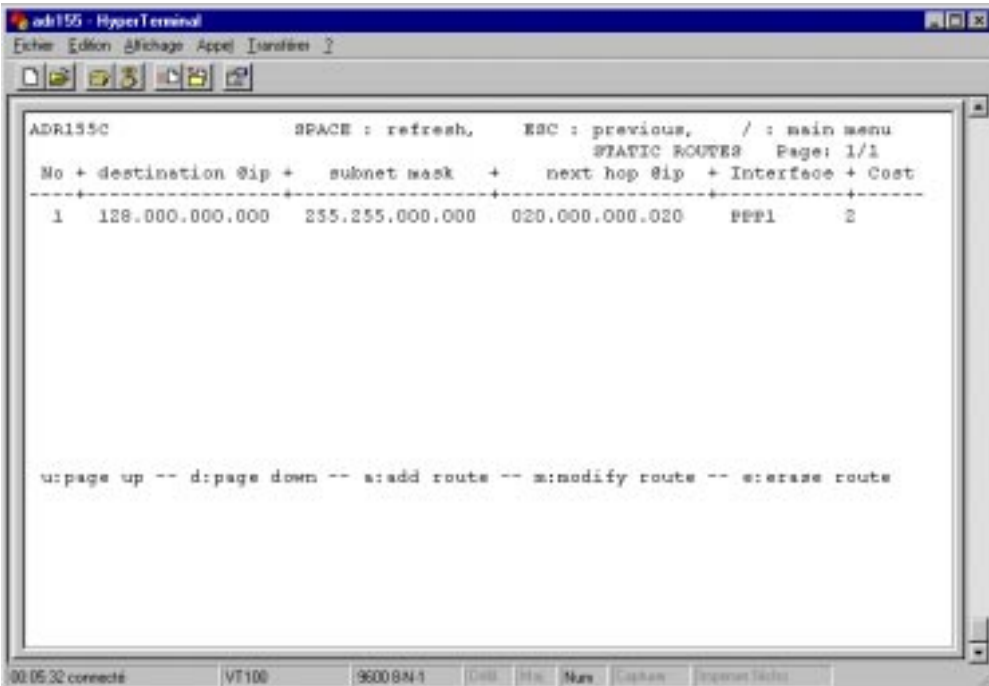
either at bytes D1 to D3 of channel DCC1 of an STM1 frame (named DCC1-A, DCC1-B, DCC1-C or DCC1-D according to the number and position of ADR IC1.x modules in the equipment), or the MNGT interface

Each interface is defined by its characteristics:

- "**Port**" : physical port "**ETH**", "**PPP1**" to "**PPP4**"
- "**Admin**" or interface state: "**ON**" (interface active) or "**OFF**" (interface inactive)
- "**@ IP**" : IP address
- "**subnet mask**" : subnetwork mask
- "**@ IP of dest**" : destination IP address (for PPP ports only)
- "**Path**" : management path chosen for the PPP ports (DCC1x or MNGT)
- "**RIP**" : management routing self-adaptability to the network structure validated or not (limited to 16 hops without gateway)

The parameterization is backed up port by port.

- ☞ Choice "**2**" : Configuration of static routes,



```
ADR155C          SPACE : refresh,    ESC : previous,    / : main menu
                STATIC ROUTES Page: 1/1
-----+-----+-----+-----+-----+-----+-----+
No + destination @ip + subnet mask + next hop @ip + Interface + Cost
-----+-----+-----+-----+-----+-----+
 1  128.000.000.000  255.255.000.000  020.000.000.020  PPP1      2

:page up -- d:page down -- a:add route -- m:modify route -- e:erase route
```

The screen displays the already defined management routes with their characteristics:

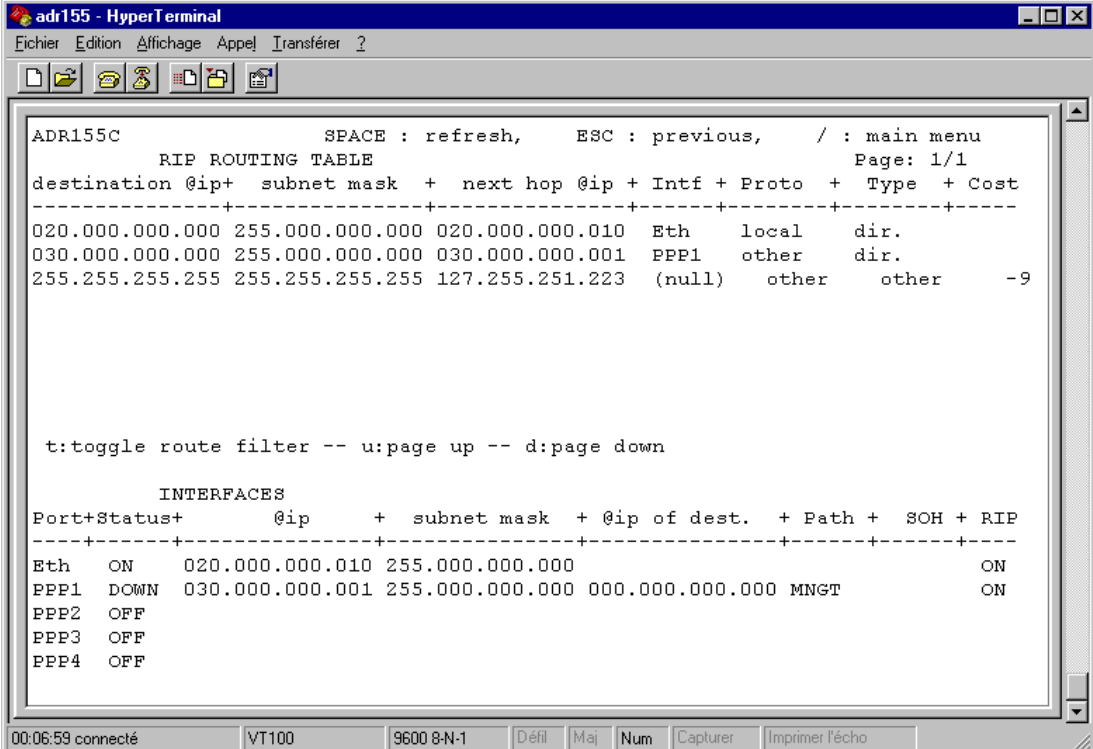
- "**No**" : reference of the route
- "**destination @ IP**" : destination IP address (equipment or subnetwork)
- "**subnet mask**" : subnetwork mask
- "**next hop @ IP**" : IP address of the next equipment (connected on line with the given equipment)

"interface" : interface used to reach the next equipment

"cost" : or "metric", number of hops to reach the destination.

From this screen, it is possible to change the existing routes, to delete them or to create new ones (the static routing is necessary if FOT155C's are present on the network or for an interconnection with a contiguous network).

- ☞ Choice "3" : Display of routing information,



```
adr155 - HyperTerminal
Fichier Edition Affichage Appel Transférer ?
[Icons]

ADRI155C          SPACE : refresh,   ESC : previous,   / : main menu
RIP ROUTING TABLE                               Page: 1/1
destination @ip+ subnet mask + next hop @ip + Intf + Proto + Type + Cost
-----+-----+-----+-----+-----+-----+-----+-----+-----+
020.000.000.000 255.000.000.000 020.000.000.010 Eth local dir.
030.000.000.000 255.000.000.000 030.000.000.001 PPP1 other dir.
255.255.255.255 255.255.255.255 127.255.251.223 (null) other other -9

t:toggle route filter -- u:page up -- d:page down

INTERFACES
Port+Status+ @ip + subnet mask + @ip of dest. + Path + SOH + RIP
-----+-----+-----+-----+-----+-----+-----+
Eth ON 020.000.000.010 255.000.000.000 ON
PPP1 DOWN 030.000.000.001 255.000.000.000 000.000.000.000 MNGT ON
PPP2 OFF
PPP3 OFF
PPP4 OFF

00:06:59 connecté VT100 9600 8-N-1 Défil Maj Num Capturer Imprimer l'écho
```

This screen is used to view the routing table, to list the dynamic and/or static routes and also the interface configurations

- ☞ Choice "4" : equipment REBOOT,

This command is used to perform immediate application REBOOT and to restart with the parameters already stored in the equipment .

- ☞ Choice "5" : Logout

With the parameterization being complete, this command closes the current session.

An automatic session exit is performed after a few minutes of inactivity (time parameterizable from the manager).

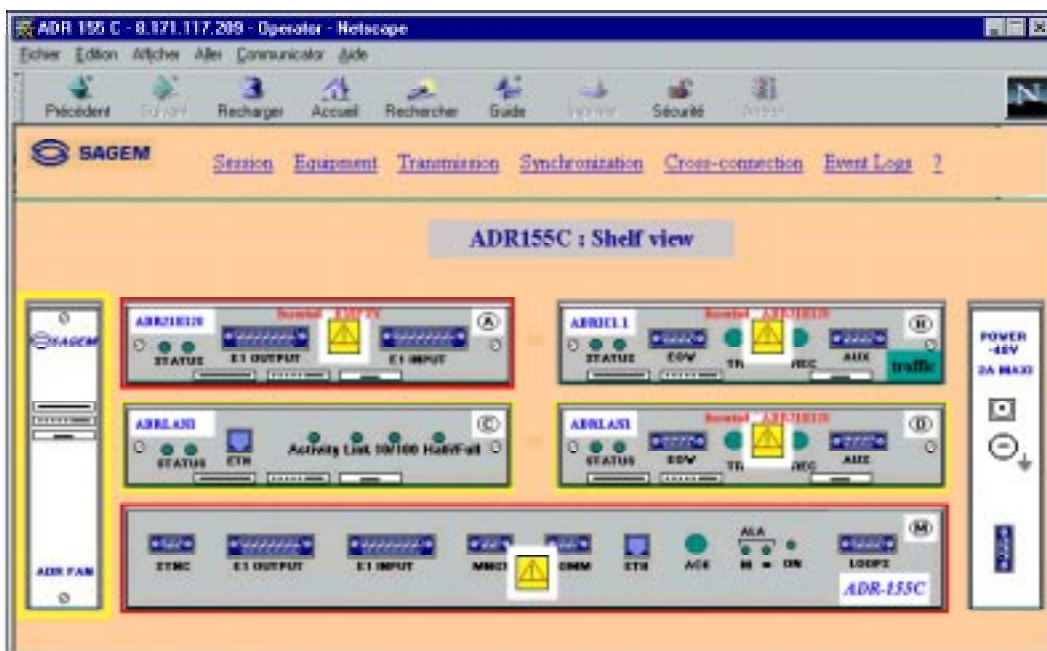
1.4.3 - Using HTTP navigator

1.4.3.1 - First commissioning

- Start the NESCAPE application
- On the Welcome screen, fill in the "Address" field with the IP address of the ADR155C equipment.
- **WARNING** : With NESCAPE 4.5, the equipment IP address should include no non-significant '0'. Example: "http://135.11.9.30" instead of "http://135.11.09.30"
- The navigator welcome screen "Welcome to the ADR155C's site" appears.
- On the first commissioning, the password is empty; click on **Apply** to access "ADR155C shelf view" screen.
- From that moment, the navigator is operational.

1.4.3.2 - Navigator Presentation

On session opening on the HTTP navigator, the "ADR155C shelf view" represents the equipment global view, where each slot is marked with a letter, A, B, C, D or M according to Figure 1-1.



This screen is used to view the equipment status, in particular:

- inconsistencies between configuration and composition: each slot includes the name of the expected card (top, left) and the name of the inserted card (in the middle, red coloured if necessary)
- alarmed modules, framed red in the case of a major alarm, yellow for a minor alarm,
- modules configured out of monitoring are represented greyed.
- modules configured out of service include a cross to signal this administrative status.

This screen is also used to:

- activate the common functions of the equipment, such as the synchronization, safety, traffic information, etc. by clicking on a function in the menu bar; see tree structure of the general menu, Figure 1-10.
- access the functionalities related to a module in particular (for example, MSP protection in the case of an ADRIC1.x module): double click on the module to be selected, the selection arrow is blinking and its specific menu appears; see the tree structure of "card" menus in Figure 1-10;
- view the own characteristics of a port (connections performed, configuration of connections, alarm states ...), by selecting the relevant connector.

For each function viewed, the configuration parameters, operating commands, active parameters and alarm states are grouped together on the same screen, with the various actions possible being accessible or not by the operator according to his/her clearance level.

The upper edge of the navigator window recalls the equipment IP address, the clearance level acquired and, if required, the slot concerned.

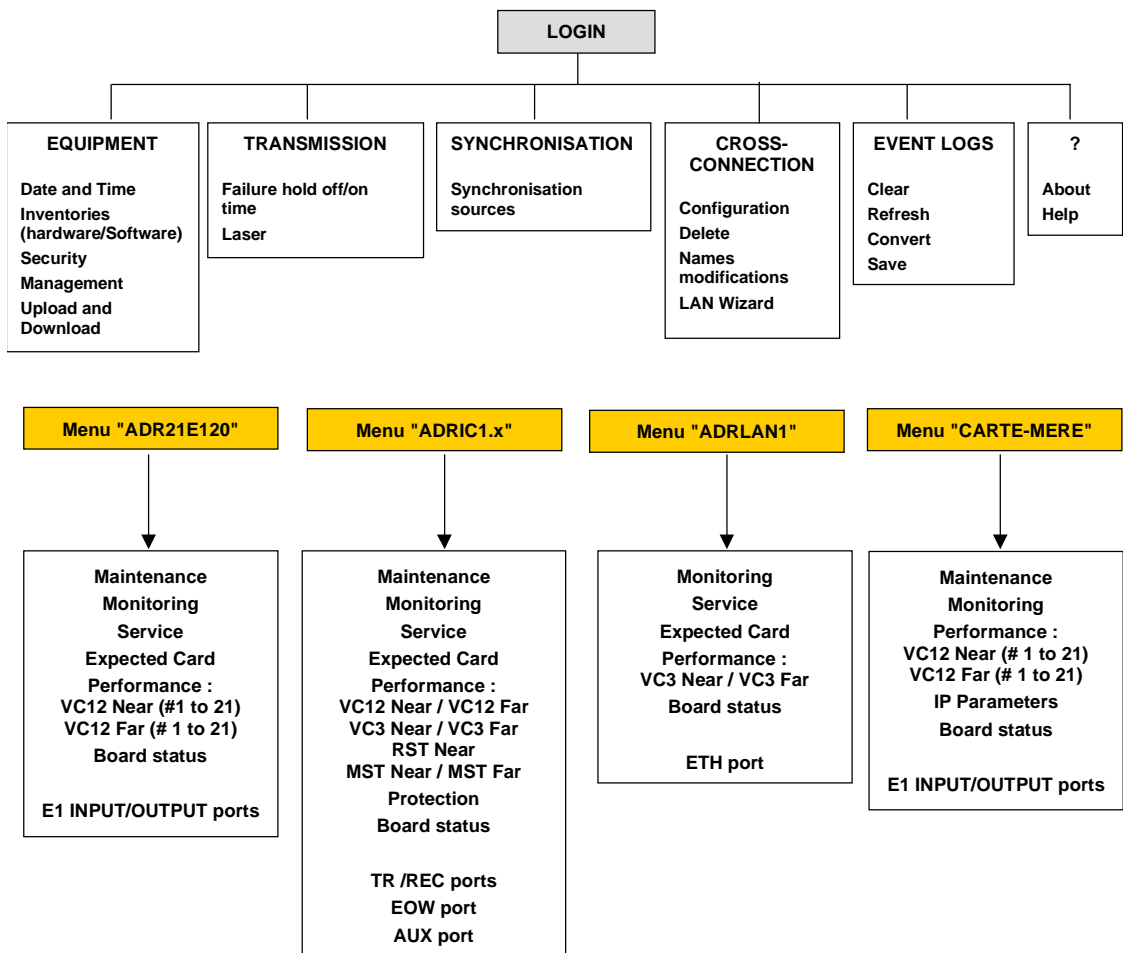


Figure 1-10 – Menu structure

2. OPERATION

2.1 - Functional description

The ADR 155C is an optical STM1 add-drop multiplexer used to build STM-1 point-to-point links, STM-1 rings, or mesh networks, so achieving the mismatch of links at 2 Mbit/s, Ethernet or STM1.

The ADR 155C can also be connected to an equipment of the synchronous digital hierarchy in accordance with UIT-T recommendations G.707 and G.783.

The ADR 155C modelling in functional blocks according to standard G.783 is presented below:

SPI : SDH Physical Interface		
RST : Regeneration Section Termination		OHA : OverHead Access
MST : Multiplex Section Termination		
MSP : Multiplex Section Protection		
		SETS : Synchronous Equipment Timing Source
MSA : Multiplex Section Adaptation		
HPOM : Higher order Path Overhead Monitor		SETPI : Synchronous Equipment Timing Physical Interface
HPC : Higher order Path Connection		
HPT : Higher order Path Termination		
HPA : Higher order Path Adaptation		SEMF : Synchronous Equipment Management Function
LUG : Lower order path Unequipped Generator		
LPOM : Lower order Path Overhead Monitor		MCF : Message Communication Function
LPC : Lower order Path Connection		
LPT : Lower order Path Termination		
LPA Lower order Path Adaptation (VC12)	Lower order Path Adaptation (VC3)	
PPI : plesiochronous physical Interface (VC12)	plesiochronous physical Interface (VC3)	

2.2 - General

The ADR155C operation and maintenance are carried out:

- either directly on the equipment, through the front panel indicator lights and two engineering management loops (loops A and B),
- or from a PC fitted with HTTP navigator,
- or from a network manager, using the SNMP protocol.

2.3 - Operational parameters

The operational parameters include:

- the configuration parameters,
- the maintenance commands or operations (these actions are cleared in case of power supply loss)
- the alarms and their severity.

Configuration parameters

NOTE : The functional blocks naming, configuration parameters and their default value, noted "XXXXXX", are displayed on HTTP navigator.

Configuration parameters per functional blocks	Default value
<i>SPI : SDH Physical Interface</i>	
The Automatic Laser Shutdown function is always enabled (equipment global functionality) "ALS" (Automatic Laser Shutdown)	"enable"
<i>MST : Multiplex section Termination</i>	
EBER-B2 monitoring ; configurable in " Monitoring " or " No Monitoring " If EBER-B2 is not monitoring, AIS, SF and MS-RDI consequent actions are inhibited	" Monitoring"
SD-B2 threshold: configurable from 10^{-6} to 10^{-9} "SD-B2 threshold"	" 10^{-6} "
<i>MSP : Multiplex Section Protection</i>	
Link type : 1+0 or 1+1	"1+0"
Protection mode : bi-directional / unidirectional "Mode "	"BIDIR"
Revertive authorization : return after a WTR time-delay to the working link when the fault (SF or SD) causing the switch has disappeared. "Revertive"	"OFF"

Table 2-1 – Configuration parameters (1/6)

Configuration parameters per functional blocks	Default value
<i>MSP : Multiplex Section Protection - suite</i>	
Wait Time to Restore (WTR) period : in revertive mode, period following restoration of nominal operation ; configurable from 0 to 15mn in one-second steps "WTR"	"1 mn"
SF/SD priority according to Recommendation G.783 [1994] annex A.1.2.1 ; possible value : "high" or "low" (compatibility with MXA) "Sf/sd priority"	"low"
SF and SD fault persistence : configurable from 0 to 10s in 100ms steps "Hold-off time"	"0 ms"
<i>HPOM : Higher order path overhead monitor</i>	
Signal label expected and received (byte C2 of VC4 path overhead) ; "Label" : -- "Expected", possible values : "01H" (equipment not specified) or "02H" (TUG mode structure) - "Received".	"02H"
<i>HPT : Higher Order Path Termination</i>	
Signal label transmitted, expected and received (byte C2 of VC4 path overhead) ; "Label" " : - "Transmitted", possible values : "01H" (equipment not specified) or "02H" (TUG mode structure) - "Expected", possible values : "01H" (equipment not specified) or "02H" (TUG mode structure) - "Received". (hexadecimal value)	"02H" "02H"
Path trace Byte J1 transmitted : "UNNAMED VC4" + CRC7 not configurable and not treated in reception	"UNNAMED . VC4" + CRC7
<i>LUG : Lower order path Unequipped Generator</i>	
Number of the unequipped VC12s transmitted in TUG3s (by default no connection)	"FFH"
<i>LPOM : Lower order path overhead monitor</i>	
Signal label (VC12) received: - "Label Rec".	
Signal label (VC3) received: - "Label Rec".	
SD threshold : configurable from 10^{-5} to 10^{-9} for VC3 configurable from 10^{-5} to 10^{-8} for VC12 "SD threshold"	" 10^{-6} "

Table 2-2 – Configuration parameters (2/6)

2 - OPERATION

Configuration parameters per functional blocks	Default value
<i>LPC : Lower order Path Connection</i>	
Connection switch	Not put into service
Connection name (configurable according to M.1400 §13)	No name
Type : bi-directional / unidirectional	MONO
SNC protection	
Type	SNC/I
Protection mode	MONO
Revertive authorization (path by path) : return after a WTR time-delay to the working link when the fault (SF or SD) causing the switch has disappeared. "Revertive"	"no"
Wait Time to Restore (WTR) period (common to all paths): in revertive mode, period following restoration of nominal operation ; configurable from 0 to 15mn in one-second steps "WTR"	"1 mn"
SF and SD fault persistence (path by path) : configurable from 0 to 10s in 100ms steps "Hold-off time"	"0 ms"
<i>LPT : Lower order Path Termination</i>	
Signal label (VC12) transmitted, expected and received; "Label" : - "Transmitted" ,: "000b" no connection or "010b" (asynchronous) if connection (not configurable by the operator) - "Expected" , possible value : "001b" equipped without specification or "010b" (asynchronous) - "Received" .	"010b"
SD-V5 threshold (VC12) configurable from 10^{-5} to 10^{-8} for VC12 "SD-V5 threshold"	"10⁻⁶"
<i>ADRLAN Card</i>	
Signal label (VC3# i) transmitted, expected and received; "Label" : - "Transmitted" , not configurable - "Expected" , not configurable - "Received" .	"A8H" "A8H"
Bit rate : Forcing the Ethernet port bit rate The bit rate is imposed on or self-adaptive to the connection (selection of the maximum proposed bit rate on the half- or full-duplex bus)	10 Mbit/s
Flow control - LAN towards VC3_# i - VC3_# i towards VC3_# j or LAN	60 % 60 %

Table 2-3 – Configuration parameters (3/6)

Configuration parameters per functional blocks	Default value
<i>ADRLAN Card – continue</i>	
Interface configuration - LAN in service / no service - Maximum route Age - Path trace J1 transmitted : "UNNAMED VC3" + CRC7 not configurable and not treated in reception	Service 300 s "UNNAMED . VC3" + CRC7
<i>SETS : Synchronous Equipment Timing Source</i>	
Quality level of synchronization sources ; "Quality" : - "PRC" (Primary Reference Clock), - "SSUT" (Synchronisation Supply Unit Transit), - "SSUL" (Synchronisation Supply Unit Local), - "SEC" (Synchronisation Equipment Clock), - "DNU" (Do Not Use), - "SSMB" (Synchronisation Status Message Byte) (synchronization quality carried out in S1 Byte).	T3 : PRC T1 : SSMB T2 : SEC T4 : SEC
Use of synchronization status messages (SSM) ; "SSM"	"ON"
T0 priority Table, according to enabled sources ; possible values : 1 to 8	"1" for all sources
2 Mbit/s port number chosen for T2 ; "T2 Tributary port" (1 port per enabled 2 Mbit/s card)	"1"
Revertive authorization (common to all sources) : return after a WTR time-delay to the working link when the fault (SF or SD) causing the switch has disappeared. "Revertive"	"yes"
Wait Time to Restore (WTR) period : in revertive mode, period following restoration of nominal operation ; configurable from 0 to 30mn by one-second step "WTR"	"1 mn"
Source selected for T4 ; "Active source"	"T0"
SASE mode control (enable or disable)	disabled
T3 source selection for SASE mode (T3-1 or T3-2)	T3-1
Quality level for T4 - "PRC" (Primary Reference Clock), - "SSUT" (Synchronisation Supply Unit Transit), - "SSUL" (Synchronisation Supply Unit Local), - "SEC" (Synchronisation Equipment Clock),	"PRC"

Table 2-4 – Configuration parameters (4/6)

2 - OPERATION

Configuration parameters per functional blocks	Default value
<i>OHA : OverHead Access</i>	
EOW interface operating mode : CO (codirectional) or CT (contra-directional master) "EOW configuration"	CT
Selection of E1/E2"	E1
AUX interface operating mode (F1); CO (codirectional) or CT (contra-directional master) "AUX configuration"	CT
<i>MCF : Message Communications Function</i>	
MNGT interface operating mode ; CO (codirectional) or CT (contra-directional master) "P port configuration"	CO
<i>Equipment</i>	
Session	
Selection of clearance level : Administrator Operator Observer	Admin
One password by clearance level (Only the administrator may modify password)	No password
Equipment date and time	"01/01/1970"
Status of slots A, B, C, D (slot configured with an expected card)	A, C:ADR21E120 B, D : ADRIC1.x
Monitoring	
Monitoring of modules A no-monitored card is indicated in the equipment view; not monitoring a card inhibits the entire management of the faults related to this card (card and port)	No Monitoring
Subrack Monitoring	Monitoring
Monitoring of ports Not monitoring a port inhibits the entire management of the faults related to this port	Monitoring for physical port No Monitoring for performance
Putting a card into/out of service (The card is ignored by the management function)	Service

Table 2-5 – Configuration parameters (5/6)

Configuration parameters per functional blocks	Default value
<i>Equipment – Continue</i>	
Alarms	
Alarm severity The severity of each alarm is configurable individually with the following attributes: major, major reverse, minor, minor reverse, none, none reverse	See tables 2-9 to 2-11
Alarm Persistence Persistence for the appearance: X = 1, 3, 10 or 30s Persistence for the disappearance: Y = 01, 3, 10 or 30s	X = 3s Y = 3s
Loops	
Mismatch of remote indication loops 1 and 2 validated or not (use of bits 1 to 4 of byte S1)	Not validated
Centre site (yes/no)	No
Routing	
Authorization to transmit traps to the management: declaration of the manager addresses (10 addresses possible)	
Tables of configured static routes	Not configured
Putting ports into service: Ethernet, PPP1, PPP2, PPP3 or PPP4 Enabled / Disabled (port by port)	Disabled
Port addressing (port by port) : Interface IP address Subnetwork mask Destination IP address (PPP interface only)	0.0.0.0 0.0.0.0 0.0.0.0
Management paths (port by port – PPP only): Options: MNGT, DCC1_A, DCC1_B, DCC1_C, DCC1_D	Not configured
RIP routing validated or not (port by port)	Not validated

Table 2-6 – Configuration parameters (6/6)

2 - OPERATION

Maintenance operation commands

Monitoring commands according to the functional blocks
<i>SPI : SDH Physical Interface</i>
2s laser restart on operator action
9s laser restart on operator action
Line loopback enabled/disabled (transparent type)
Equipment loopback enabled/disabled (transparent type)
<i>MSP : Multiplex Section Protection</i>
Operator command for MSP protection
Clear
Lockout of Protection
Forced Switch to Working
Forced Switch to Protection
Manual Switch to Working
Manual Switch to Protection
<i>LPC : Lower order Path Connection</i>
Operator command for SNC protection of VC12 or VC3 path (per path and in order of priority):
Clear
Lockout of Protection
Forced Switch to Working
Forced Switch to Protection
Manual Switch to Working
Manual Switch to Protection
<i>PPI : PDH Physical Interface</i>
Line loopback enabled/disabled (transparent type)
Equipment loopback enabled/disabled (transparent type)
<i>ADRLAN Card</i>
LAN statistics
VC3 # i statistics
Flow control
Interface status-
<i>SETS : Synchronous Equipment Timing Source</i>
Protection operator command
Clear
Lockout of Protection
Forced Switch
Manual Switch to Protection

Table 2-7- Commands (1/2)

Monitoring commands according to the functional blocks	
<i>Equipment</i>	
Alarms	
Alarm acknowledgements using the front panel push-button (such acknowledgements occur only at the level of major and minor output loops).	
RESET of alarm and event logs	
Performance	
RESET of performance logs 15 mn # i	
RESET of performance logs 24 h # i	
Reset	
Hot reset of the equipment, performed by software (the reset time should be shorter than 30s)	

Table 2-8 : Commands (2/2)

2.4 - Predefined functions

On commissioning, the following mechanisms are implemented automatically:

- synchronization,
- management of outgoing remote indication loops.

Synchronization

The synchronisation of the local equipment and remote equipment is managed according to the available synchronization sources, their quality and the priority they are allocated.

The synchronization sources possible are:

- standalone operation (local oscillator),
- T1 extracted from one of the incoming STM1 streams (1 to 4 possibilities according to the number of ADRIC1.x cards present in the equipment),
- T2 : one 2 Mbit/s G.703 source per declared 2 Mbit/s module, and selected from the various 2 Mbit/s G.703 accesses
- T3 : two external 2 MHz G.703 sources

2 - OPERATION

The following figures give typical synchronization examples according to equipment connections.

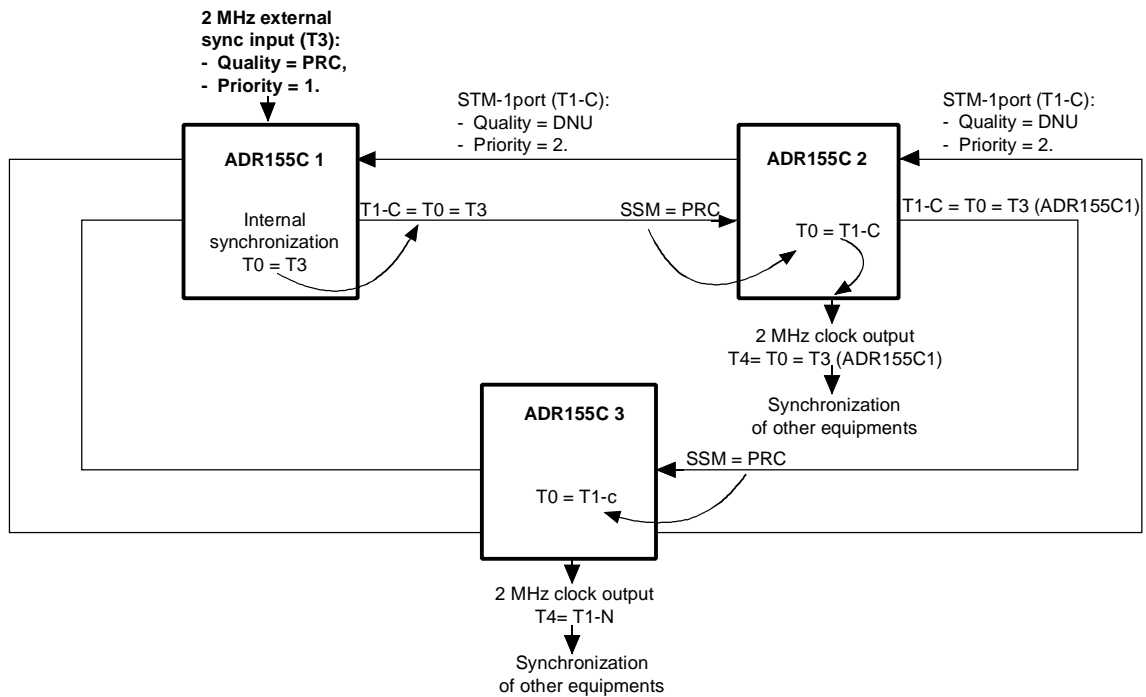
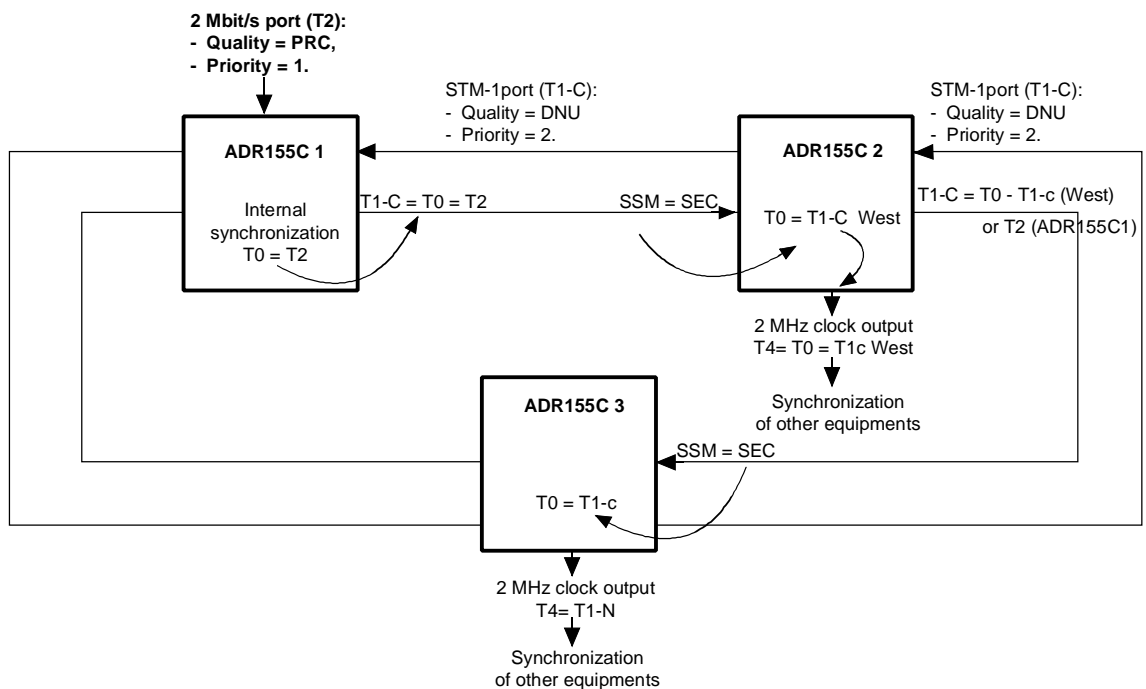


Figure 2-1 - Synchronization from the 2 MHz external sync input (T3)



NOTE : Synchronization is applied to the 2 Mbit/s port of the ADR155C which is enabled first (local ADR155C in the example).

Figure 2-2 - Synchronization from a 2 Mbit/s port

Loops Management

On remote sites, two local outgoing loops (Local user outputs A and B) are activated on the appearance of a local : equipment alarm or remote indication loops 3 and 4 (Local user input #3 or #4).

The remote loopback function allows an equipment named " central site", to register faults present on remote sites.

This function requires each site to transmit to the central site an alarm presence message. This messages which corresponds to remote monitoring loopback 1 or 2 (Local user input #1 or #2) is transmitted in the S1 byte. To link this message to equipment's alarms, the outputs of the A and B loops (Local user outputs A and B) should be connected to remote monitoring loops 1 and 2 (Local user input #1 or #2) respectively.

Data chaining in a bus or ring type network architecture is provided by "OR" function validation between the data received (Far user inputs #1 et #2) via S1 STM1 West and S1 STM1 East, and local data, for each site in the network.

At the "central site" equipment, "OR" function validation between the data received (Far user inputs #1 and #2) via S1 STM1 West and S1 STM1 East, and local data (Local user input #1 or #2 and local alarm), enables local alarm loopbacks to be activated (Local user outputs A and B).

To configure the remote loopback function, the following parameters should be programmed : "Line remote loopback" and " central site".

The Figure 2-3 gives an example of remote management of the local outgoing loops according to the equipment connections.

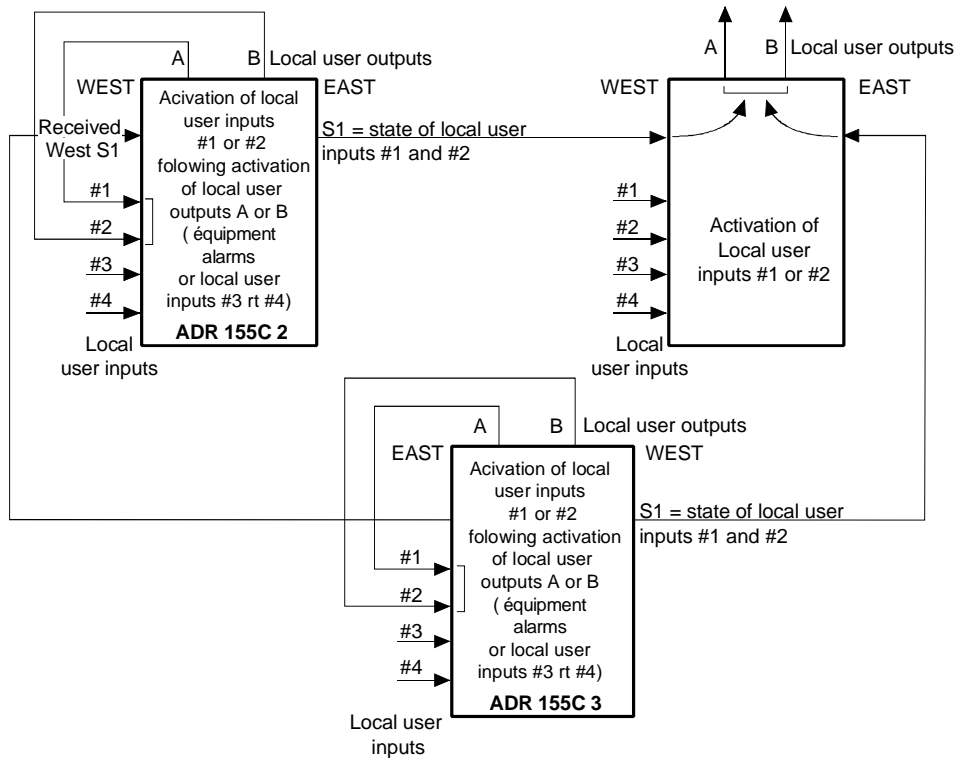


Figure 2-3 – Remote loopback function (registering alarms on central site)

NOTE : Status of :

- incoming loops (Local user inputs #1 to #4),
 - far incoming loops (Far user inputs #1 to #2),
 - and outgoing loops (Local user outputs A and B),
- may be displayed on HTTP navigator.

2.5 - Alarms processing

LEDs and pushbuttons

The following tables give the meanings of the lit LEDs and the actions initiated by using the pushbuttons.

⇒ **LEDs :**

Monitored item	Designation	Colour	Status	Meaning
Motherboard	"ON"	Green	On Flashing Off	In service card Self-test default Not powered equipment or not run software
	"ALA M"	Red	On	Major alarm
	"ALA m"	Yellow	On	Minor alarm
Ethernet (management port or ADRLAN card)	"Activity"	Green	On Off	On reception No traffic
	"Link"	Yellow	On Off	Correct Link No link
Traffic cards	"STATUS"			See table below

⇒ **"STATUS"LEDs on ADR IC 1.x, ADR LAN and ADR 21E120 cards :**

Green LED	Red LED	Meaning
On	Off	Card in service and configured
On	On	Card in service and in alarm
Off	Off	Hardware default on card (fuse)
Off	On	Card out of service (not configured)
Flashing		Self-test default

⇒ **Pushbuttons :**

Designation	Location	Role	Action initiated
"ACK"	Front panel	Alarm acknowledge	Pressing disables the outgoing alarm loops. The visual alarm is kept.
"INIT CONFIG"*	Motherboard	Configuration reload	"Factory" Configuration reload

* : To activate "INIT", keep button pressed for at least 5 seconds. This button is inaccessible (and unused) in normal operation. It is necessary to remove the cover to access it.

Defaults and Alarms

The tables below give the default values of severity associated with the failures.

Alarms	Description	Severity
SPI : SDH Physical Interface		
LOS	Loss Of Signal-	Major
TF	Transmit Fail	Major
RST : Regenerator Section Termination		
LOF	Loss Of Frame	Major
MST : Multiplex section Termination		
EBER-B2	Bit Error Rate > 10 ⁻³ on B2 Byte	major
SD-B2	Signal Degrade -B2	minor
MS-AIS	Alarm Indication Signal	Non-alarmed
MS-RDI	Remote Defect Indication	minor
MSP : Multiplex Section Protection		
PAM	Protection Architecture Mismatch	minor
SCM	Selector Control Mismatch	minor
OTM	Operation Type Mismatch	minor
MSA : Multiplex Section Adaptation		
AU-AIS	Administrative Unit - Alarm Indication Signal	Non-alarmed
AU-LOP	Administrative Unit – Loss Of Pointer	major
HPOM : Higher Order path Overhead Monitor		
HO-RDI/G1	High Order Path -Remote Defect Indication	minor
HO-UNEQ	High order Path – Unequipped	Non-alarmed
HPT : Higher Order Path Termination		
HO-SLM	High Order Path -Signal Label Mismatch	Non-alarmed
HO-RDI/G1	High Order Path -Remote Defect Indication	minor
HO-UNEQ	High Order Path –UNEQuipped	Non-alarmed
HPA : Higher Order Path Adaptation		
TU-LOM	Tributary Unit - Loss Of Multiframe	minor
TU-AIS	Tributary Unit – Alarm Indication Signal	Non-alarmed
TU-LOP	Tributary Unit - Loss Of Pointer	minor
LPOM : Lower Order path Overhead Monitor		
SD-B3 (VC3)	Signal Degrade –B3	minor
SD-B2 (VC12)	Signal Degrade –B2	minor
LO-RDI	Low order Path -Remote Defect Indication	minor
LO-UNEQ	Low order Path – Unequipped	Non-alarmed

Table 2-9 : Alarms and severity (1/2)

2 - OPERATION

Alarms	Description	Severity
LPT : Lower order Path Termination		
SD-V5 (VC12)	Signal Degrade –V5	minor
SD-B3 (VC3)	Signal Degrade –B3	minor
LO-SLM	Low order Path – Signal Label Mismatch	Non-alarmed
LO-RDI	Low order Path – Remote Defect Indication	minor
LO-UNEQ	Low order Path – Unequipped	Non-alarmed
LPA : Lower order Path Adaptation		
LO-SLM	Low order Path – Signal Label Mismatch	Non-alarmed
PPI : PDH Physical Interface		
LOS	Loss Of Signal	minor
AIS	Alarm Indication Signal	Non-alarmed
SETS : Synchronous Equipment Timing Source		
T3 LOS	Loss Of Signal on T3 sync input	minor
T1 LOS	Loss Of Signal on T1 sync input	Non-alarmed
T2 LOS	Loss Of Signal on T2 sync input	Non-alarmed
T4 - Failure	Failure on T4 synchronization output	minor
Local equipment		
Local user inputs # 1	Remote indication 1	Non-alarmed
Local user inputs # 2	Remote indication 2	Non-alarmed
Local user inputs # 3	Remote indication 3	major
Local user inputs # 4	Remote indication 4	minor
Remote equipment		
Far user inputs # 1	Remote indication 1	Major *
Far user inputs # 2	Remote indication 2	Minor *
Others		
Message	Card configuration	major
Message	Defective card	major
Message	Missing card	major

Table 2-10 : Alarms and severity (2/2)

* If the equipment configured is declared centre site.

Correlation of faults

A correlation mechanism is implemented on all faults detected.

This correlation mechanism, implemented on each change of information collected, is used to eliminate faults induced by other faults to facilitate fault finding and fault locating.

The following tables define the faults that are masked for each fault detected in the system..

Key :

X

: The fault concerned on the current line is masked by the fault in the current column.

For example: The LOF fault is masked by fault 2 (LOS).

Correlation of STM1 faults

	FAULTS	1 TF	2 LOS	3 LOF	4 AIS	5 SD-B2	6 RDI
1	TF						
2	LOS						
3	LOF		X				
4	AIS (MS-AIS)		X	X			
5	SD-B2		X	X	X		
6	RDI (MS-RDI)		X	X	X		

Correlation of MSP faults

	FAULTS	1 PAM	2 SCM	3 OTM
1	PAM			
2	SCM	X		
3	OTM	X		

Correlation of AU faults

The AU faults are masked by the STM1 LOS, LOF and AIS (MS-AIS) faults.

The TU-LOM fault is filtered, if there is no configured VC12 connection on this STM1.

	FAULTS	1 AU-AIS	2 AU-LOP	3 UNEQ	4 RDI	5 SLM	6 TU-LOM
1	AU-AIS						
2	AU-LOP						
3	UNEQ (VC4 UNEQ)	X	X				
4	RDI (VC4 RDI)	X	X	X			
5	SLM	X	X	X			
6	TU-LOM	X	X	X		X	

2 - OPERATION

Correlation of TU/VC faults

TU-AIS, LP UNEQ, LP-RDI and LP-SLM are masked by the STM1 LOS, LOF and AIS (MS-AIS) faults, and by the AU AU-LOP, AU-AIS, UNEQ (VC4 UNEQ) and TU-LOM faults.

TU-LOP is masked by the AU SLM and TU-LOM faults.

Tu-AIS and TU-LOP faults of a not connected input are filtered.

	FAULTS	1 TU-AIS	2 TU-LOP	3 LP UNEQ	4 LP-RDI	5 LP-SLM	6 LOS	7 AIS
1	TU-AIS							
2	TU-LOP							
3	LP UNEQ	X	X					
4	LP-RDI	X	X	X				
5	LP-SLM	X	X	X				

Correlation of port faults

	FAULTS	1 LOS	2 AIS
1	LOS		
2	AIS	X	

Correlation of remote faults

LO-REI, LO-RDI, HO-REI and HO-RDI faults of unidirectional connection input are filtered.

2.6 - Performance processing

Performance processing consists in supervising the following monitoring ports:

for local equipment:

- regeneration section (byte B1) ("**near end working (protection) RS**"),
- multiplex section (byte B2) ("**near end working (protection) MS**"),
- VC3 tributary paths ("**near end Low Path Virtual Container**"),
- VC12 tributary paths (byte V5) ("**near end Low Path Virtual Container**"),

for the remote equipment:

- multiplex section (byte M1) ("**far end working (protection) MS**"),
- VC3 tributary paths ("**far end Low Path Virtual Container**")
- VC12 tributary paths (byte V5) ("**far end Low Path Virtual Container**").

Performance processing includes the following functions:

- calculation of the number of errored blocks (or bit errors) on local and remote faults and monitoring of the appearance faults over a one second period (VC12-REI indicators are not taken into account in the calculation),
- calculation and determination of the ES (Errored Second), SES (Severely Errored Second), BBE (Background Block Error) and UAS (UnAvailable Second) states for each monitoring point,
- generation for each monitoring point of 15-minute counters and 24-hour counters (BBE, ES, SES and UAS).

Determination of ES, SES and UAS performance states:

For each of the monitoring points, the following states are:

- **ES** (Errored Second) : number of seconds with at least one error detected in a 1 s period or one fault,
- **SES** (Severely Errored Second) : number of severely errored seconds,

An SES is a second for which the number of errors exceeds a defined threshold or during which at least one fault is detected.

Monitoring point	SES declaration threshold
MS (byte B2) (for local) and MS (byte M1) (for remote)	2400
RS (byte B1) (for local)	2400
VC3 (for local)	600
VC12 (byte V5) (for local)	600

- **UAS** (UnAvailable Second) : number of seconds of unavailability,
- **BBE** (Background Block Error) : number of residual errored blocks excluding SES.

Generation of 15-minute and 24-hour counters:

The result of these calculations is then aggregated for each of the monitoring points in:

- 24-hour counters (**BBE, ES, SES** and **UAS**),
- 15-minute counters (**BBE, ES, SES** and **UAS**).

The last 6 **UNAVAILABLE PERIODS** are stored and displayed on HTTP navigator.

The performance process is initialized when the equipment is powered up and the monitoring point is monitored.

The last 16 non-zero 15-minute counters, the current 15-minute counter, the last non-zero 24-hour counter, the current 24-hour counter and the last 6 unavailable periods are displayed on HTTP navigator.

2.7 - Procedure for replacing subassemblies

Replacing a card

Remarks:

- Alarms appear whenever a card is extracted from the subrack. In order to prevent feedback of M/m alarms and ALA 1 and ALA 2 loops, the card should be declared out of service.
- Each module can be extracted or inserted without acting on other modules or their wiring. Only the traffic of the concerned module is disturbed.

Procedure:

The procedure described below can apply, unless otherwise specified, to all the cards in the equipment.

1. Put the card concerned "no service" from HTTP navigator.
2. Remove the external connections performed on the card front side.

NOTE: When the external optical fibers are disconnected, reinstall the protective covers on connectors.

3. Screw off the TORX screws located on the front side, using the suited screwdriver and unplug the card
4. Extract the card, complying with the measures of protection against electrostatic discharges.

NOTE: For any card handling, the operator must wear an anti-static bracelet well tight around the wrist and earthed.

5. Package the extracted card in an anti-static bag.
6. Take the new card out of its anti-static bag.
7. Carefully insert the card into its cell, complying with the measures of protection against electrostatic discharges, and secure it with the TORX screws.
8. Restore connections on the card front side.

**NOTE: For the optical STM1 card, remove the protective covers from connectors.
To clean the optical connectors, use a pressurized air aerosol.**

9. Configure the card, if necessary, and put it into service.

Replacing the fan module

The ADRFAN module consists of two redundant fans in order to ensure sufficient ventilation when either of them is defective. Fan failures are detected on the motherboard by monitoring the power consumed; failures are viewed on "ADR155C shelf view" screen of HTTP navigator: if at least one fan is faulty, ADRFAN module is framed red (major alarm, not configurable).

NOTE: The operation of ADRFAN is not continuous; its initiation is related to the equipment internal temperature.

ADRFAN can be extracted, it can be replaced at any moment without disturbing the traffic.

Procedure:

1. Screw off the TORX screws located on the front side, using the suited screwdriver and unplug the card.
2. Extract the card, complying with the measures of protection against electrostatic discharges.

NOTE: For any card handling, the operator must wear an anti-static bracelet well tight around the wrist and earthed.

3. Package the extracted module in an anti-static bag.
4. Take the new module out of its anti-static bag.
5. Carefully insert the module into its place, complying with the measures of protection against electrostatic discharges, and secure it with TORX screws

Replacing the front-panel fuse

Procedure:

1. Disconnect the power cable or the 110-240//48V 60W/ transformer from the primary power source.
2. Screw off the fuse-holder from the power supply front panel.
3. Replace the defective fuse with an equivalent fuse, namely:
4A quick-break fuse (HA214A)
Dimensions length: 20mm \pm 0.5
diameter: 5.2 mm +0.1/-0.2
4. Screw the fuse-holder.
5. Reconnect the power cable or the 110-240//48V 60W/ transformer to the primary power source

3. SPARE PARTS

Designation	Code no.
ADR155C 19" subrack	
ADR155C subrack	AM101333
Fan module - ADR FAN	AM101360
Adaptator 22 x 75 ohms 1.0/2.3 19"/ETSI	AM101901
Traffic card	
IC1.1 STM1 optical card - ADR IC1.1	AM101328
IC1.2 STM1 optical card - ADR IC1.2	AM101329
Ethernet 10/100 card - ADR LAN1	AM101331
21 x 2Mbit/s 120 ohms card - ADR 21E120	AM101330
External transformer	
Transformer 110-240//48V 60W/	AM101669
Software	

Available cable list

Designation	Length	Code no.
SYNC port Synchronization	2.5 m	251 008 309
	5 m	251 008 312
	12 m	251 008 320
	25 m	251 008 333
E1 INPUT or E1 OUTPUT port 21x2Mbit/s In or Out on motherboard or ADR21E120		
Et or ST 21x2 Mbit/s 120 ohms SUBD	2,5 m	55 670 741
	5 m	55 670 742
	12 m	55 670 743
	25 m	55 670 744
21x2 Mbit/s 75 ohms 1.0/2.3 right cable	2,5 m	55 670 582
	5 m	55 670 583
	12 m	55 670 584
	25 m	55 670 585

3 - SPARE PARTS

Available cable list (continue)

Designation	Length	Code no
MNGT port P management between two ADR 155C	1,5 m	55 670 655
	3 m	55 670 656
COMM port VT100 Management port	1,8 m	4 980 214
ETH port Ethernet port on mother board or ADRLAN1 card Right cable male – male Right cable male – male Crossover cable male – male Right cable male – female Right cable male – female	1,5 m	55 670 421
	3 m	55 670 422
	3 m	55 670 610
	1,5 m	55 670 423
	3 m	55 670 424
LOOPS port Remote indication, remote control and station alarm loops	2,5 m	6 013 628
	5 m	6 013 261
	12 m	6 013 161
	25 m	6 013 262
POWER port Power supply	1,5 m	55 670 796
	3 m	55 670 797
TR or REC ports FC-PC/FC-PC optical Jumper on ADRIC1.x card	2,5 m	6 491 366
	3,4 m	6 491 367
	5,8 m	6 491 369
	7 m	6 491 370
	8,2 m	6 491 371
	9,4 m	6 491 372
	15 m	55 670 481
	20 m	55 670 495
25 m	55 670 752	
AUX or EOW ports Auxiliary channel and orderwire channel on ADRIC1.x card	2,5 m	6 013 632
	5 m	6 013 266
	12 m	6 013 176
	25 m	6 013 267

4. SPECIFICATIONS

EQUIPMENT	
Optical specifications	
Interface type	IC1.1 = L1.1 + S1.1 or IC1.2 = L1.2 + S1.2
Bit rate	155.520 Mbit/s ± 20 ppm
Standard	ITU-T G.957/G.958
Encoding	Not encoded (NRZ)
Optical fiber	Single-mode (1 300 nm (IC1.1) or 1 550 nm (IC1.2), ITU-T G.652) * : It is possible to use a multi-mode optical fiber whose diameter is smaller than or equal to 62.5 microns
Guaranteed attenuation	0 - 28 dB with no external attenuator
Typical range	0 - 70 km (IC1.1) or 0 - 100 km (IC1.2)
Connector	All-ceramic FC/PC
Mechanical specifications	
Height	2U
Width	19" or ETSI
Depth	300 mm
Weight	6 kg approx.
Protection Class (IP)	Corresponding to the IP of the rack used
Consumption	< 40 W (to a equipped subrack of two cards ADR IC1.x and two cards ADR LAN)
Environmental specifications	
Mechanical	ETS 300 119-4 (19") or CEI 297-3 (ETSI) ETS 300 019-2-3
Climatic conditions	CEI 721-1 (1993) ETS300 019 part 1-3, class 3.1, 3.2
Operating temperature range	- 5 °C à + 45°C
Extended operating temperature range	- 25 °C to + 55°C (the MTBF [Mean Time Between Failure] is significantly degraded)
Packaged transportation and storage temperature	- 40°C to + 70°C
Relative humidity	< 85%
ESD	NF EN 50081-1, NF EN 50082-1 June 1992 and ETS 300 386-1 1994
EMC (Electromagnetic Compatibility)	NF EN 55022 (1994) + Additive A1 02/1996 equipment Class B
Safety	NF EN 60950 and UTE C 92130 (the equipment does not provide the fire envelope)
Energy	ETS 300132-2 (is VLV equipment)

4 - SPECIFICATIONS

Predicted reliability *	
Motherboard	3.4 10 ⁻⁶
ADR 21E120 card	0.75 10 ⁻⁶
ADR1 IC1.x card	2.6 10 ⁻⁶
ADRLAN1 card	2.25 10 ⁻⁶
Background	0.33 10 ⁻⁶
Power supply	1.25 10 ⁻⁶
ADRFAN Module **	2.5 10 ⁻⁶

* The predicted reliability computations are based on the CNET's 1993 issue (RDF 93) of the Reliability Data Manual, on the assumption of specific requirements for the following: ambient temperature 25°C (with ventilation conditions such as the subrack internal middle temperature is less than 40°C), environment (mounted on the ground, fixed and protected), qualification, and component ageing. Any changes in the above requirements may entail variations in the results.

** The fan module does not operate continuously, but only for high ambient temperature.

TRANSFORMER 110-240//48V 60W/ (OPTIONAL)	
Dimensions (without cable and connector)	L x l x H = 132 mm x 58 mm x 30 mm
Operating temperature	0°C to 40°C
Storage temperature	-20°C to 85°C
Input voltage	90 to 264 VAC
Input frequency	47 to 63 Hz
output voltage	48 VDC
Electronics protection	Short circuit and overload
Standard	EN60950 and UL-CSA

A. CONSTRUCTING AN IP NETWORK ADDRESSING PLAN

This annex summarizes the rules for constructing a TMN based on the IP protocols suite.

A.1 - Preamble

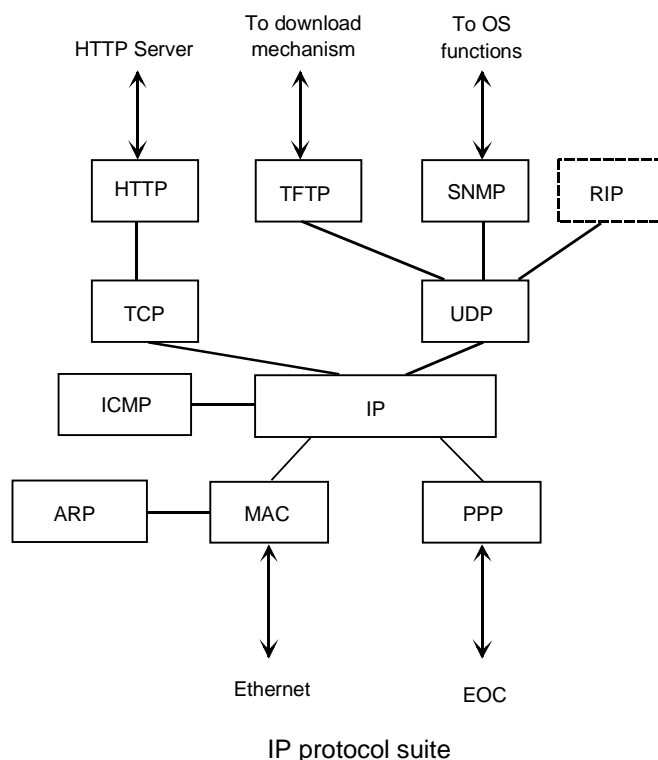
The IP protocols suite enables the transport of data in a transmission network in the form of packets between two points in the network.

According to the ISO model, IP is the network layer protocol. It is therefore responsible for the packet routing of each node, so that the packets can be routed correctly via the network.

The protocols "below" IP correspond to the link and physical layers: they set up the links between two consecutive network nodes.

The protocols "above" IP, TCP and UDP, are the transport layer protocols: they enable end-to-end data transmission between two remote points on the network. The protocols based on TCP/UDP are application oriented: they offer services such as file transfer (TFTP over UDP, FTP over TCP), equipment management (SNMP), messaging (SMTP), etc...

The figure below describes the stacking of the main protocols that can be used in a network node.



Note: The MAC protocol is linked to the Ethernet physical port (point-multipoint media) and PPP protocol is linked to the physical ports for the point-to-point links (optical, radio, V11 , etc...)

A.2 - Addressing IP

To route packets in a node, IP uses an addressing mechanism: depending on the destination address contained in the packet, it determines by polling its routing table the next router to which it should send the packet, and determines the physical interface over which it should transmit the packet. (The terms "router" and "equipment" will be used interchangeably in the following),

There are two, non-exclusive, ways of updating IP routing tables:

- use of static routes entered by operator,
- use of a routing demon (such as RIP, RIP2, OSPF) which takes charge of dynamic management of routing tables across the network.

The IP addresses are coded over 4 bytes and are usually represented in decimal form (e.g.: 135.11.33.115). An IP address is divided into 3 fields:

- the "NET" field, on the left,
- the "subnet" field, in the center,
- the "host" field, on the right.

The length of the first field depends on the class to which the address belongs. The length of the "subnet" and "host" fields is defined by a mask associated with the address. There are three address classes:

- class A: the "NET" field is coded over the first byte; the three other bytes are reserved for the "SUBNET" and "HOST" fields ; class A addresses vary from 1.0.0.0 to 126.255.255.254,
- class B: the "NET" field is coded over the first two bytes; the two other bytes are reserved for the "SUBNET" and "HOST" fields ; class B addresses vary from 128.0.0.0 to 191.255.255.254,
- class C: the "NET" field is coded over the first three bytes; the last byte is reserved for the "SUBNET" and "HOST" fields ; class C addresses vary from 192.0.0.0 to 223.255.255.254 ; the maximum number of equipment pieces that can belong to the same class C IP network (having the same "NET") is 254.

Note: Addresses starting with 127 and addresses including "all-1" or "all-0" in the "SUBNET" and "HOST" fields are not permitted.

Note: The IP standard authorizes that the "SUBNET" and "HOST" fields can be coded over a number of bits that does not correspond to an byte border; usually this is not implemented for reasons of address legibility and since the majority of RIP routing demon implementations do not support this feature.

The "SUBNET" field is defined by a mask which is written in the form: 255.255.255.0, 255.255.0.0, 255.0.0.0, etc : the number of zero bits from the left of the mask defines the length of the "HOST" field ; e.g., for the address 40.2.2.2 associated with mask 255.255.255.0, the "NET" field takes the value 40, the "SUBNET" field the value 2.2 and the "HOST" field the value 2.

A.3 - Addressing plan

A global IP network may be sub-divided into N networks, each with a "NET" number.

Within each network, each physical link (point-to-point or point-multipoint) has its own "SUBNET" number.

Each equipment connected to this link (2 for point-to-point link, N for an Ethernet segment), has its own "HOST" number.

Depending on the number of equipment pieces and links, address classes A, B or C are used with "SUBNETS" coded over one or two bytes.

To conclude, an IP address and its "SUBNET" mask must be associated with each interface of a network node.

A.4 - Use of static tables

Concerning the use of static tables, each network node must have its routing table completed in order for it to be able to route correctly the received packets.

All IP routes of a given equipment routing table contains the following fields:

- "destination @ip" : corresponding to the IP address of the equipment or sub-network (or network) that is targeted from the equipment in question,
- "subnet mask" : sub-network mask associated with the IP address defined in "destination @ip"; all equipment pieces with this part of their IP address fields defined by "1" bits correspond to the "destination @ip" (defined by this same mask) that can be attained using this route,
- "next hop @ip" : IP address of the next router (in direct connection with the equipment in question) to which the packet is to be sent,
- «metric» (also named «cost» or distance) : value from 1 to 15, indicating the number of hops required to reach the equipment corresponding to the "destination @ip" address. 16 corresponds to infinite for the RIP routing demon. This field may only be used by a routing demon to select a preferential route if there are several different possible routes for a given destination. It is possible to always enter "1" for this field in order to simplify, if this operation is not required,
- "interf." : interface number used to reach the next router (the IP address of which is "next hop @ip").

Rem : The declaration of interface IP addresses induces the establishment of implicit static routes to associated SUBNETs. So, it is not necessary to define static routes to join two equipments of the same SUBNET.

Rem : The equipment IP addresses are the addresses of its configured interfaces (or ports). The manager knows only one IP address per equipment. So, IP address of an equipment is frequently used to refer to the address filled in the manager database. This is the address of the port through which the equipment interacts normally with manager.

Rem : To operate an equipment via a PC and an Ethernet interface, it is necessary to change the IP address of the operating PC for the PC to belong to the same SUBNET as the Ethernet interface that is used to be connected to the network.

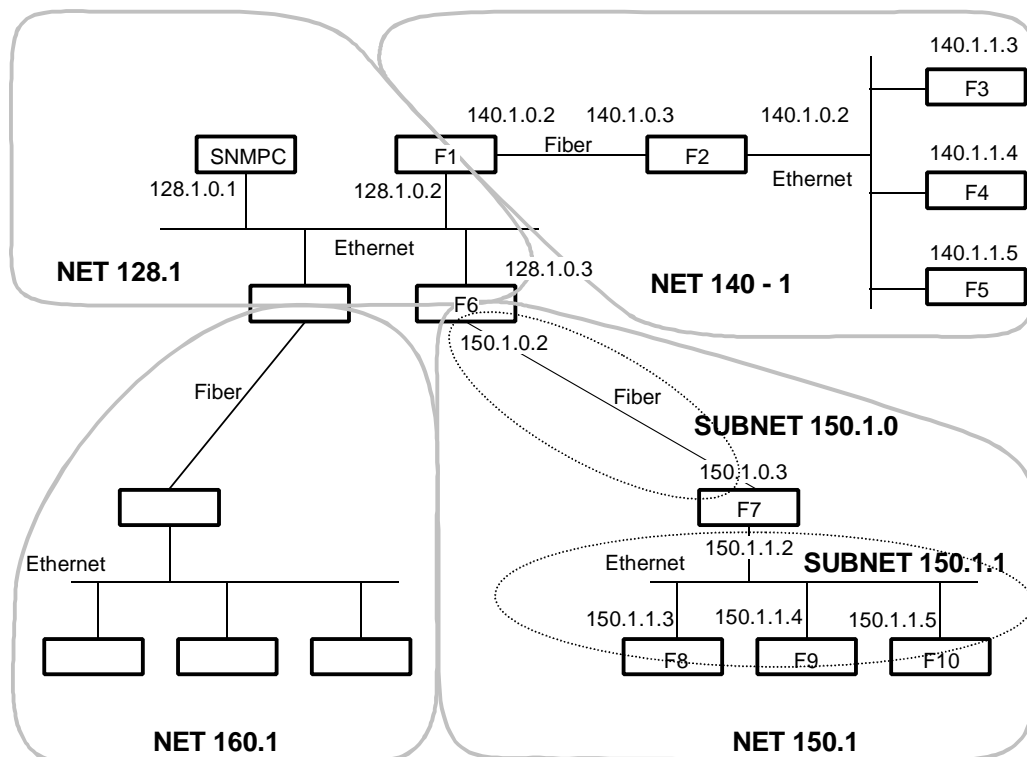
It is advisable to leave HOST 1 number free on each SUBNET, i.e., to start numbering the equipments from HOST 2 number. Thus, the PC will always take an IP address of this type: NET.SUBNET.1

ANNEX A - CONSTRUCTING AN IP NETWORK ADDRESSING PLAN

Note: If it is possible to define a default router (option sometimes available), to which any packet may be transmitted which cannot be routed using the routing table.

The following figure shows an example of an IP network and routing tables associated with two equipment types. It shall be noted that each port of the onboard routing function corresponds to a different SUBNET.

Block diagram of example TMN architecture



ADR155C F6 Configuration

Interfaces

Ether IP	128.1.0.3
Ether Mask	255.255.0.0
STM1 IP	150.1.0.2
STM1 Mask	255.255.255.0
X21:P IP	0.0.0.0 (Interface not put into service)
X21:P Mask	0.0.0.0

Static routes

Dest @IP	Subnet mask	Next hop	Interface	Metric	Remark
140.1.0.0	255.255.0.0	128.1.0.2	e	1	All the NET 140.1
150.1.1.0	255.255.255.0	150.1.0.3	s	1	All the SUBNET 155.1.1

ADR155C F8 Modification

Interfaces

Ether IP	150.1.1.3
Ether Mask	255.255.255.0
STM1 IP	0.0.0.0 (Interface not put into service)
STM1 Mask	0.0.0.0
X21:P IP	0.0.0.0 (Interface not put into service)
X21:P Mask	0.0.0.0

Static routes

Dest @IP	Subnet mask	Next hop	Interface	Metric	Remark
128.1.0.0	255.255.0.0	150.1.1.2	e	2	All the NET 128.1
140.1.0.0	255.255.0.0	150.1.1.2	e	3	All the NET 140.1
150.1.0.0	255.255.255.0	150.1.1.2	e	1	All the SUBNET 155.1.0

A.5 - Use of RIP routing demon

"RIP" is a routing demon which makes it possible to dispense with part of the static routing tables.

The network must be divided into "AUTONOMOUS SYSTEMS" or "AS", each with a different "NET" number.

Each AS is an RIP routing domain and must be limited to a length of 15 hops max. between two equipment pieces requiring to exchange packets within this AS. The maximum distance is taken into account to include the worst case security.

These ASs are mutually independent (within RIP), and are linked via isolated networks each constituting a single link (Ethernet or point-to-point). Each isolated network has its own "NET" number.

The equipment interfaces belonging to an isolated network must be filtering (RIP filtering option activated on these interfaces), i.e., they prohibit export of automatic updates of RIP routing tables. These equipment pieces with a filtering interface are designated "border".

Within an AS, all equipment pieces must have their RIP routing demon activated.

Within each AS, each link between two equipment pieces is described by a specific "SUBNET" value.

The routings from one AS to another AS, via an isolated network, are described using static routes.

In the example given above, "NET" 128.1 corresponds to an isolated network and "NETs" 160.1 and 150.1 correspond to ASs in which RIP is activated.

MULTIPLEXEUR ADD-DROP à 155 Mbit/s COMPACT

ADR 155C


Guide d'Installation et d'Utilisation

NIVEAUX DE SECURITE DES ACCES

Niveau de sécurité des accès du châssis 19"


Les connecteurs sont repérés sur les faces avant de l'équipement (carte-mère et modules).

Connecteurs	Fonction	Niveau de sécurité
PWRA/PWRB	Accès alimentation	TBTS ¹
PWR	Accès alimentation	TBTS
Carte-mère		
SYNC	Accès de synchronisation 2 Mbit/s G.703	TBTS
E1 INPUT & E1 OUTPUT	Accès de trafic 2 Mbit/s G.703	TBTS
MNGT	Accès d'interconnexion avec d'autres équipements	TBTS
COMM	Accès de gestion locale via une console au standard VT100 ou un PC	TBTS
ETH	Accès de gestion distante via un réseau Ethernet	TBTS
LOOPS	Accès boucles sèches et téléseñalisations	TBTS
Carte ADR ICI 1.x		
TR et REC	Accès optique STM-1 IC1.1 ou IC1.2 G.957 et G.958	Laser classe 1 Sans danger
EOW et AUX	Accès voie de service	TBTS
Carte ADR LAN1		
ETH	Accès Ethernet	TBTS
Carte ADR 21E120		
E1 INPUT & E1 OUTPUT	Accès de trafic 2 Mbit/s G.703	TBTS


 **Le châssis 19" ne doit être monté que dans des baies ou bâtis dont la partie inférieure est fermée ou équipée d'un filtre à air classé V1 ou HF1 au minimum, ou reposant sur un sol non inflammable.**

Obligation de terre sûre

Ce matériel ne peut être installé que par un personnel compétent. Sa conformité est conditionnée au raccordement de la borne de terre de protection à une terre sûre de résistance $Z < 5$ ohms.

 **Précaution de manipulation :** Toute intervention à l'intérieur des équipements nécessite obligatoirement l'utilisation d'un bracelet électrostatique.

Pile au Lithium

 **Attention :** il y a danger d'explosion, s'il y a remplacement incorrect de la pile. Remplacer uniquement avec une batterie de même type ou d'un type équivalent recommandé par le constructeur
Mettre au rebut les batteries usagées conformément aux instructions du fabricant

Dans l'ADR155C, le remplacement de la pile ne peut être effectué que par retour SAV.

¹ Circuit à Très Basse Tension de Sécurité

TABLE DES MATIERES

REPertoire des mises a jour	0-2
<i>SECTION A : Installation and user guide</i>	<i>A0-1 to AA-6</i>
<i>SECTION B: Guide d'installation et d'utilisation</i>	<i>B0-1 à BA-6</i>
NIVEAUX DE SECURITE DES ACCES	B0-2
TABLE DES MATIERES	B0-3
1. INSTALLATION ET MISE EN SERVICE	B1-1 à B1-28
1.1 - Généralités	B1-1
1.2 - Installation du châssis	B1-3
1.3 - Raccordement des accès	B1-4
1.3.1 - Raccordement de l'alimentation	B1-4
1.3.2 - Raccordements sur la carte-mère	B1-7
1.3.3 - Raccordement sur le module ADR IC1.x	B1-13
1.3.4 - Raccordement sur le module ADR LAN1	B1-16
1.3.5 - Raccordement sur le module ADR 21E120	B1-17
1.3.6 - Bandeau de raccordement 75 Ω	B1-18
1.4 - Mise en service	B1-20
1.4.1 - Configuration nécessaire	B1-22
1.4.2 - Paramétrage de la fonction communication	B1-22
1.4.3 - Utilisation du navigateur HTTP	B1-26
Figure 1-1- Installation du châssis ADR155C	B1-2
Figure 1-2 - Raccordement des accès alimentation	B1-5
Figure 1-3 - Raccordement des accès sur la carte-mère	B1-6
Figure 1-4 - Raccordement sur le module ADR IC1.x	B1-12
Figure 1-5 - Raccordement sur le module ADR LAN1	B1-16
Figure 1-6 - Raccordement sur le module ADR 21E120	B1-17
Figure 1-7 - Bandeau de raccordement 75 Ω	B1-18
Figure 1-8 - Processus de mise en service d'un réseau d'ADR155C	B1-19
Figure 1-9 - Exemples de configuration de la fonction de communication	B1-21
Figure 1-10 - Arborescence des menus	B1-27
2 . EXPLOITATION	B2-1 à B2-20
2.1 - Présentation fonctionnelle	B2-1
2.2 - Généralités	B2-2
2.3 - Paramètres d'exploitation	B2-2
2.4 - Fonctions prédéfinies	B2-9
2.5 - Traitement des alarmes	B2-12
2.6 - Traitement de la qualité	B2-18
2.7 - Procédures de changement de sous-ensemble	B2-20

Figure 2-1 - Synchronisation à partir de l'entrée de synchronisation externe à 2 MHz (T3)	B2-10
Figure 2-2 - Synchronisation à partir d'un accès à 2 Mbit/s	B2-10
Figure 2-3 - Déport de boucles (Rapatriement des alarmes sur un site central)	B2-11
Tableaux 2-1 à 2-6 - Paramètres de configuration	B2-2 à B2-7
Tableaux 2-7 et 2-8 - Commandes	B2-8 à B2-9
Tableaux 2-9 à 2-11 : Alarmes et gravité.....	B2-13 à B2-15
3. RECHANGES	B3-1 à B3-2
4. CARACTERISTIQUES TECHNIQUES	B4-1 à B4-2
A. CONSTRUCTION DU PLAN D'ADRESSAGE D'UN RESEAU IP.....	BA-1 à BA5
A.1 - Préambule	BA-1
A.2 - Adressage IP	BA-2
A.3 - Plan d'adressage	BA-3
A.4 - Utilisation des tables statiques	BA-3
A.5 - Utilisation du démon de routage RIP	BA-5

1. INSTALLATION ET MISE EN SERVICE

1.1 - Généralités

L'ADR 155C est un multiplexeur add-drop optique STM-1 qui permet de construire des liaisons point à point STM-1, des anneaux STM-1 ou des réseaux maillés, avec protection de conduit (SNC) ou de ligne (MSP), réalisant ainsi le transport de liaisons à 2 Mbit/s, Ethernet, STM-1.

L'ADR 155C peut être utilisé en :

- Multiplexeur terminal STM-1 avec une capacité maximale de 63 VC12 et possibilité de protection 1+1,
- Répéteur STM-1, aptitude à régénérer 2 VC4,
- Multiplexeur STM1 à insertion/extraction avec une capacité maximale de 4 STM-1 et insertion/extraction de 21 VC12
- Point d'interconnexion de LAN (en fonction exclusive jusqu'à 3 liaisons déportées totalisant 3 VC3 utilisés).

Cet équipement est géré à partir d'un navigateur HTTP :

- soit localement, via son interface Ethernet dédiée
- soit à distance par téléexploitation
- ou à partir du gestionnaire de réseau IONOS-ANM ; dans ce dernier cas, l'utilisation du protocole SNMP permet également la supervision globale du réseau.

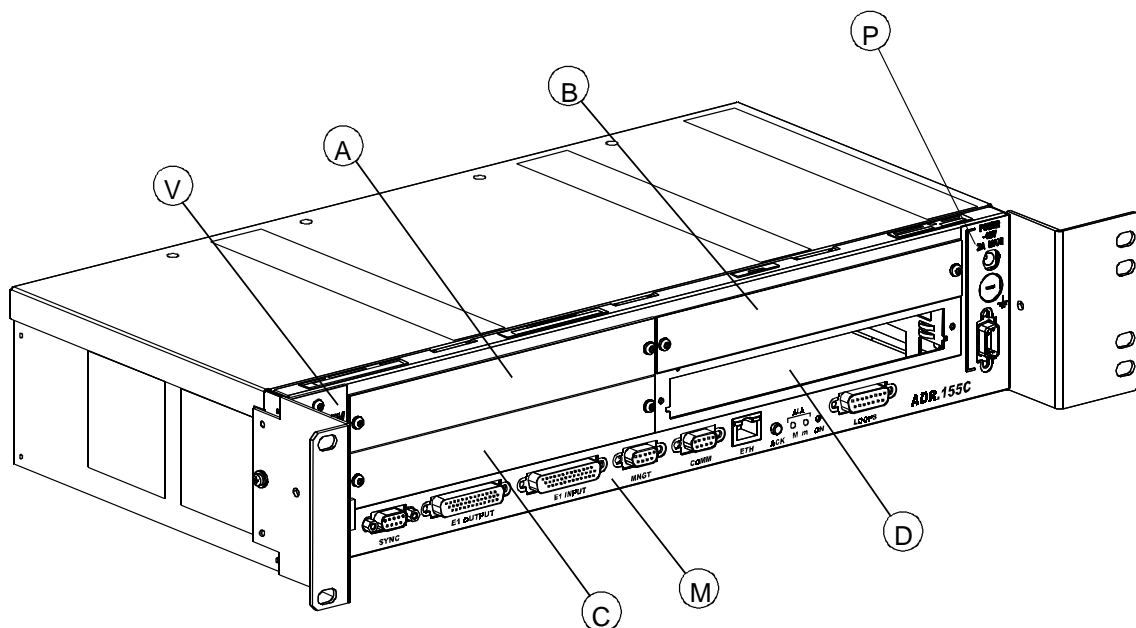
L'utilisation d'un terminal local avec émulation VT100 est nécessaire lors de la première mise en service pour la configuration des paramètres de communication.

Les raccordements du réseau de gestion s'effectuent via les DCC D1 à D3 (ou D4 à D12) des STM1 ou sur les interfaces Ethernet (ETH) ou P (MNGT) de l'équipement

L'ADR155C prend place dans des baies 19" ou bâtis ETSI. Il est constitué :

- d'un châssis 2U équipé d'une carte-mère regroupant les fonctions de base de l'équipement, d'un fond de panier et d'une alimentation 48V DC sécurisée,
- d'un module ADRFAN, composée de deux blocs de ventilation redondants,
- de quatre cartes d'accès au choix :
 - carte d'accès STM1 optique IC1.1 ou IC1.2 (carte ADR IC1.1 ou ADR IC1.2) permettant une connexion VC4 ou 3 connexions VC3 ou 63 connexions VC12 ou un mixte de connexions VC3/VC12
 - carte d'accès 21 x 2 Mbit/s G.703 (carte ADR21E120), permettant 21 connexions VC12
 - carte d'accès Ethernet 10/100 (carte ADR LAN1), permettant 2 connexions VC3.

1 - INSTALLATION ET MISE EN SERVICE



Châssis ADR 155C

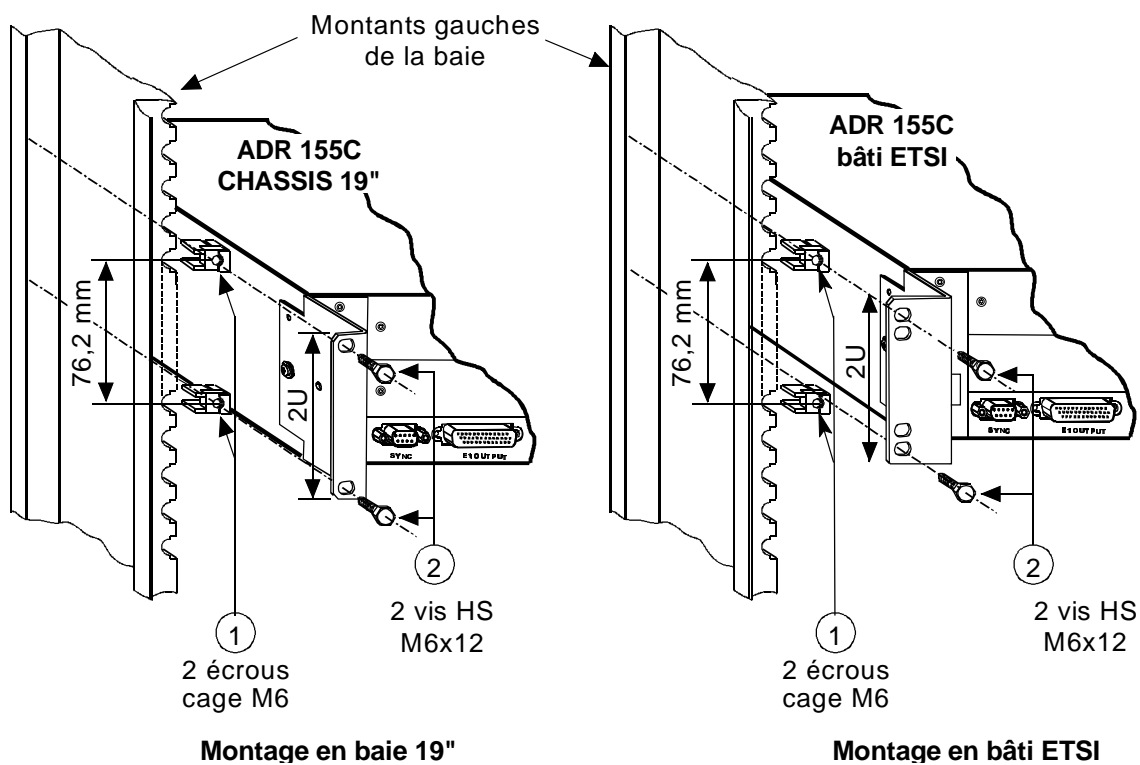


Figure 1-1- Installation du châssis ADR155C

1.2 - Installation du châssis

Le châssis ADR 155C peut s'installer en baie 19" ou en bâti ETSI (voir Figure 1-1). Il est constitué :

- d'une carte-mère située dans sa partie inférieure (repère M),
- de quatre alvéoles banalisées (repères A à D), destinées à recevoir les cartes d'accès,
- d'un tiroir situé à gauche du châssis destiné à recevoir le module de ventilation (repère V),
- d'une alimentation (repère P).

Tous les raccordements s'effectuent en face avant, soit sur le bandeau du châssis, soit sur les modules eux-mêmes.

Installation en baie 19"

Les éléments de fixation du châssis en baie 19" (équerres, écrous cage et vis de fixation), sont fournis dans son emballage.

L'ADR155C possède un système de régulation thermique par ventilation ; lors de l'installation, prévoir un espace suffisant pour la prise d'air à gauche du châssis et un pour l'évacuation d'air en haut à droite du châssis. Par ailleurs, ne pas gêner la convection naturelle d'air sur le flanc droit.

Procéder aux opérations suivantes :

- prévoir un emplacement de 2U dans la baie pour chaque équipement et un espacement de 1U entre les équipements,
- fixer les équerres de fixation pour montage en baie 19" de chaque côté du châssis,
- clipser de chaque côté de la baie deux écrous cage M6 (repère 1),
- présenter l'arrière du châssis 19" face à la baie,
- faire glisser le châssis 19" jusqu'à ce que les équerres de fixation entrent en contact avec les montants, face aux 4 écrous cage, puis le fixer au moyen de 4 vis à tête hexagonale M6x12 (repère 2).

Installation en bâti ETSI

L'installation du châssis en bâti ETSI est identique à celle en baie 19".

Dans ce cas, utiliser le jeu d'équerres de fixation spécifique d'un montage en bâti ETSI.

Implantation des cartes

RAPPEL : Avant toute intervention sur les cartes, l'opérateur doit se munir d'un bracelet antistatique.

Les alvéoles d'un ADR155C sont banalisées. Cependant pour faciliter le câblage et garantir l'homogénéité des sites il est recommandé de procéder de la façon suivante :

- positionner les cartes affluents depuis l'alvéole C dans le sens des aiguilles d'une montre
- positionner les cartes résultants depuis l'alvéole D dans le sens inverse des aiguilles d'une montre
- vérifier la présence du module de ventilation dans son tiroir réservé,
- Fixer chaque carte au moyen des vis de type Torx de type M3 (étoile à 6 branches) en utilisant un tournevis adapté.

1.3 - Raccordement des accès

Les raccordements à effectuer sur l'équipement sont fonction de la configuration choisie :

Sur la carte d'alimentation :

- accès d'alimentation : "**PWR**" ou "**PWRA**" et/ou "**PWRB**",

Sur le bandeau de la carte-mère du châssis :

- accès de gestion : "**COMM**", "**ETH**" et/ou "**MNGT**"
- accès de télésignalisation, de télécommandes et d'alarmes station "**LOOPS**".
- accès de synchronisation 2Mbit/s G.703 "**SYNC**".
- accès de trafic 21x2Mbit/s G.703 "**E1 INPUT**" et "**E1 OUTPUT**".

Selon les modules d'accès utilisés

- accès STM-1 optiques et accès des voies de service,
- accès Ethernet
- accès de trafic 21x2Mbit/s G.703.

Règles de raccordement

- ⇒ Pour une bonne répartition des cordons de part et d'autre du châssis, les raccordements des alvéoles A et C, les 21 accès 2Mbit/s et l'accès de synchronisation sont orientés vers la gauche. Tous les autres raccordements sont orientés vers la droite.
- ⇒ **Le passage des cordons ne doit pas gêner l'extraction d'un module ; en particulier, les câbles de raccordement de la moitié gauche du châssis doivent être assujettis au bâti avec un mou suffisant afin de permettre l'extraction du module de ventilation lors d'une opération de maintenance.**

1.3.1 - Raccordement de l'alimentation

- .Accès "**PWRA**" et/ou "**PWRB**", lorsque l'équipement est alimenté à partir d'une (ou deux) source(s) - 48 V, la (ou les) source(s) d'alimentation doit (doivent) être limitée(s) à 100 VA.
- .Accès "**PWR**" lorsque l'équipement est alimenté à partir d'une tension réseau (230 V CA), via un transformateur 110-240//48V 60W/ optionnel.

Règles de raccordement à respecter :

- ⇒ Les accès d'alimentation "**PWR**" et "**PWRA**" et/ou "**PWRB**" peuvent être connectés simultanément.
- ⇒ Le cordon d'alimentation ou le transformateur 110-240//48V 60W/ ne doit pas être relié à la source primaire avant d'être raccordé à l'équipement.
- ⇒ Le transformateur 110-240//48V 60W/ doit être monté éloigné de toute source de chaleur et aucune traction ne doit être exercée sur ses fils de raccordement.

Description des accès d'alimentation

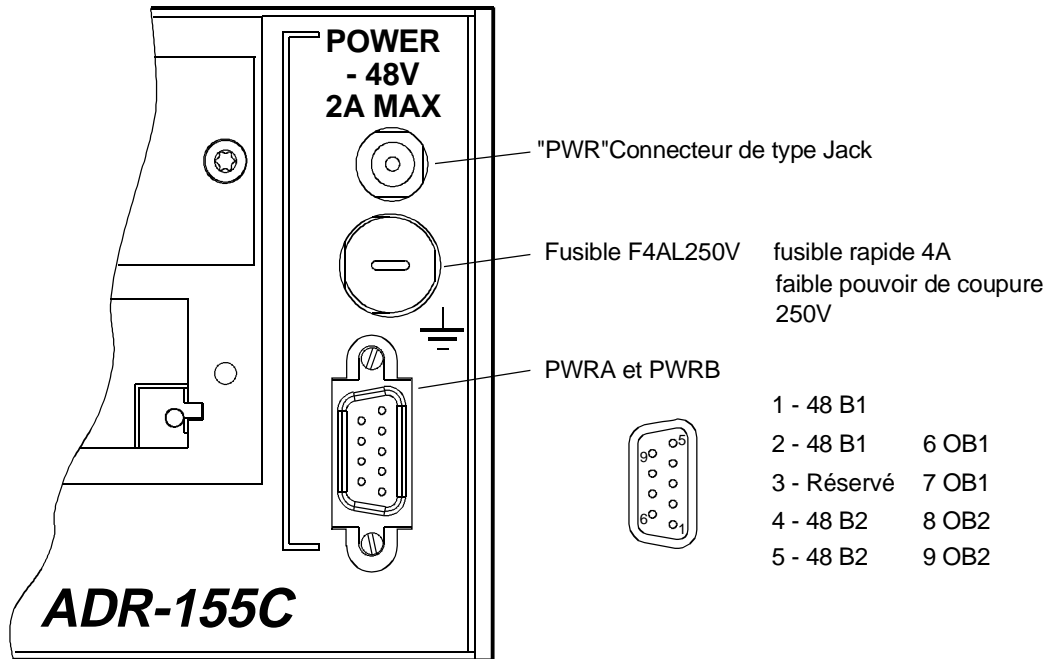


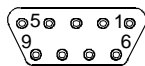
Figure 1-2 - Raccordement des accès alimentation

Interface d'alimentation "PWRA"/"PWRB" :

Tension d'entrée : Une ou deux sources d'alimentation - 48 V de type TBTS (Très Basse Tension de Sécurité)
Plage de tension autorisée : - 36 V à - 60 V
Plage de tension maximale : - 36 V à - 72 V

Puissance 100 VA maximum

Connecteur HE5 9 points mâle



N° de broche	Désignation du signal
1	-48B1
6	OB1
2	-48B1
7	OB1
3	Réservé
8	OB2
4	-48B2
9	OB2
5	-48B2

NOTA : Le blindage du connecteur est relié à la masse de l'équipement

Interface d'alimentation "PWR" :

Accès Raccordement du transformateur 110-240//48V 60W/
Connecteur Jack (âme = OB1 et blindage = - 48 V1).

1 - INSTALLATION ET MISE EN SERVICE

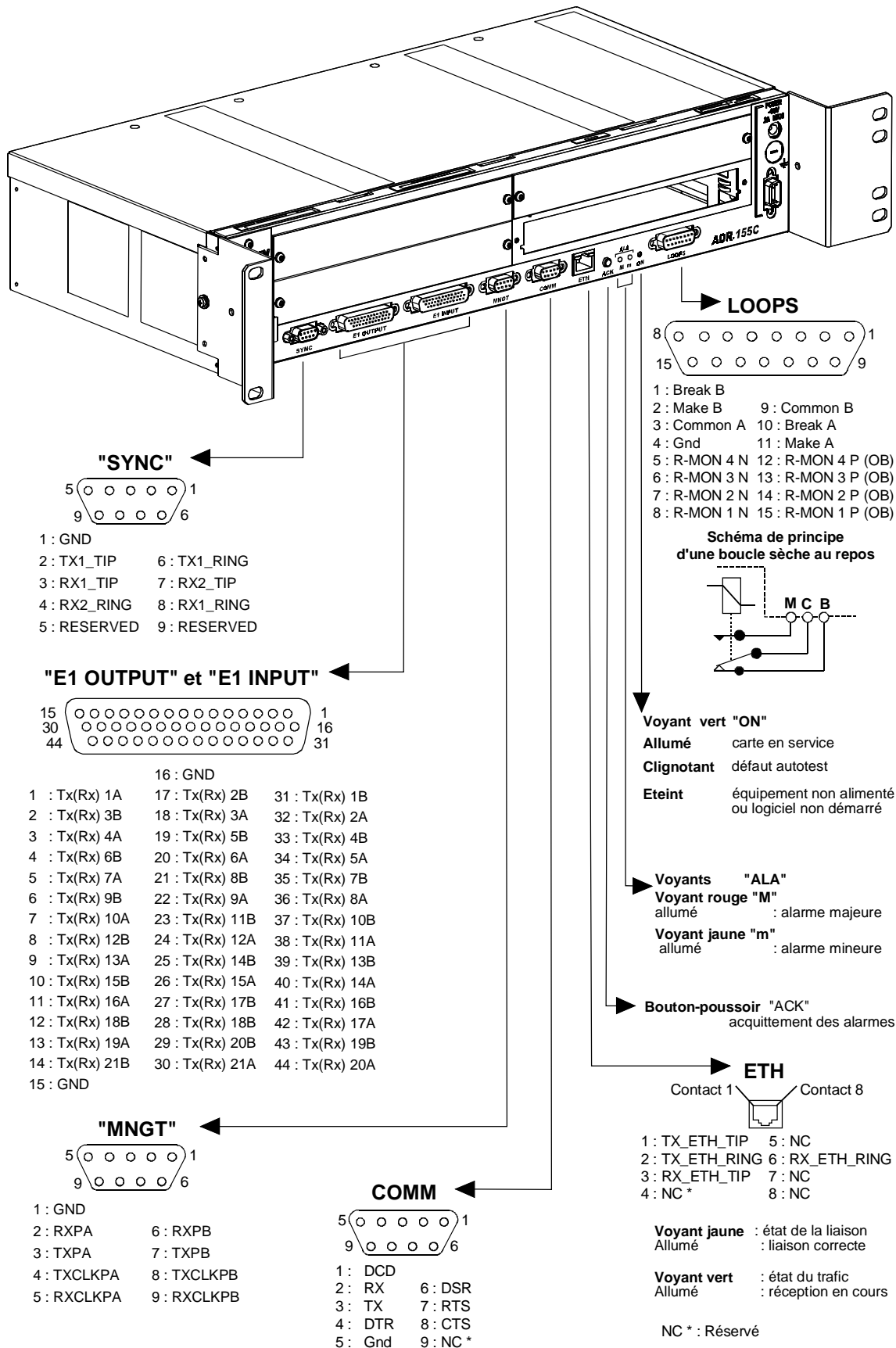


Figure 1-3 - Raccordement des accès sur la carte-mère

1.3.2 - Raccordements sur la carte-mère

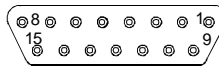
1.3.2.1 - Accès de télésignalisation, de télécommande et d'alarmes station ("LOOPS")

Interface "LOOPS" :

Accès 4 entrées de télésignalisation (*Local user inputs*) pour contacts flottants, polarisées au - 48 V en interne, actives à l'état fermé et à isolation galvanique (courant de boucle compris entre 1 et 10 mA),

2 sorties de boucle sèche (commun, repos et travail) (*Local user outputs*) utilisées comme alarme station ou télécommande (courant maximal = 100mA sur charge résistive),

Connecteur Type HE5 - 15 points femelles.



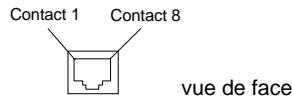
N° de broche	Désignation du signal	Remarques
1	BREAK B	Contact repos de la boucle sèche B
9	COMMON B	Contact commun de la boucle sèche B
2	MAKE B	Contact travail de la boucle sèche B
10	BREAK A	Contact repos de la boucle sèche A
3	COMMON A	Contact commun de la boucle sèche A
11	MAKE A	Contact travail de la boucle sèche A
4	GND	Masse
12	R- MON 4 P (OB)	Boucle de télésignalisation N°4
5	R- MON 4 N	
13	R- MON 3 P (OB)	Boucle de télésignalisation N°3
6	R- MON 3 N	
14	R- MON 2 P (OB)	Boucle de télésignalisation N°2
7	R- MON 2 N	
15	R- MON 1 P (OB)	Boucle de télésignalisation N°1
8	R- MON 1 N	

NOTA : OB est le "OU" logique des signaux OB1 et OB2 des interfaces alimentation "PWR", "PWRA" et "PWRB".

Interface "ETH" :

Accès Interface Ethernet de gestion fonctionnant à 10 Mbit/s en mode half duplex ou full duplex selon le mode utilisé par l'interlocuteur (adaptation dynamique du port Ethernet à chaque nouvelle connexion de l'interlocuteur),

Connecteur Type RJ48 (RJ45 blindé).



N° de broche	Désignation du signal	Remarques
1	TX_ETH_TIP	Sortie Ethernet (point chaud)
2	TX_ETH_RING	Sortie Ethernet (point froid)
3	RX_ETH_TIP	Entrée Ethernet (point chaud)
4	NC	Réservé
5	NC	Réservé
6	RX_ETH_RING	Entrée Ethernet (point froid)
7 et 8	NC	Réservé

1 - INSTALLATION ET MISE EN SERVICE

NOTA : Deux LEDs sont associées au connecteur "ETH" :

- LED, de couleur verte, "Activity" : indicateur de l'état du trafic,
- LED, de couleur jaune, "Link" : indicateur de l'état de la liaison.

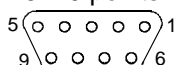
1.3.2.2 - Accès de gestion et d'exploitation

Interface "COMM" :

Accès Interface RS232, interconnexion d'une console ou émulation au standard VT100

Débit 19200 bauds (8 bits de données, pas de bit de parité et 1 bit de stop),

Connecteur Type HE5 – 9 points femelles



N° de broche	Désignation du signal	Remarques
1	DCD	Relié à DSR
6	DSR	Poste de données prêt (Data Set Ready) (vers ETCD)*
2	RX	Réception de données (vers ETCD)*
7	RTS	Demande pour émettre (Request To Send) (de ETCD)*
3	TX	Emission de données (de ETCD)*
8	CTS	Prêt à émettre (Clear To Send) (vers ETCD)*
4	DTR	Terminal de données prêt (Data Terminal Ready) (de ETCD)*
9	RI	Ring Indicator (non connecté)
5	GND	Masse

* L'ADR155C est vue comme un ETCD

Câble de raccordement Voir schéma ci-dessous.

Côté équipement
"COMM"

Côté VT100 ou PC

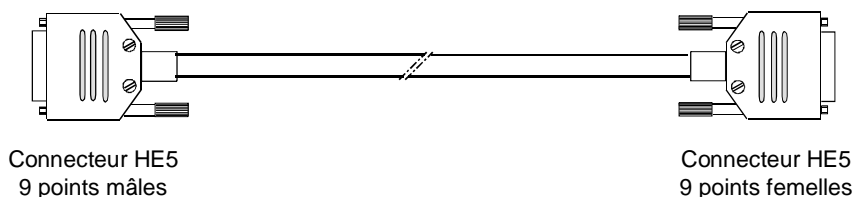
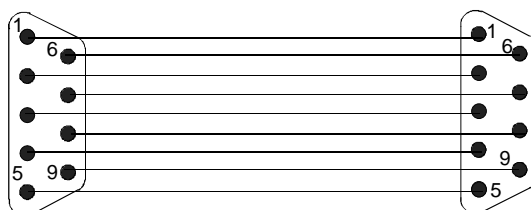


Schéma de câblage

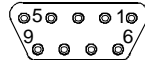


Interface "MNGT" :

Accès synchrone V.11 (différentiel) Interconnexion possible avec d'autres équipements SAGEM ADR155C, FOT 155C, à travers des liens synchrones série utilisés en mode codirectionnel à 64 kbit/s ou contra-directionnel maître (rythme défini par l'ADR 155C)

Débit 64 kbit/s,

Connecteur Type HE5 - 9 points femelles.



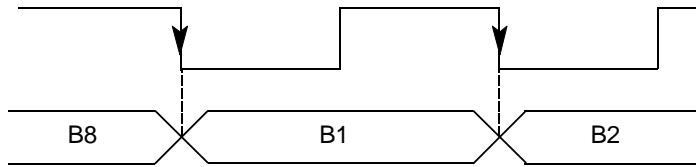
N° de broche	Désignation du signal	Polarité	Remarques
1	GND		Masse (non connecté)
2	RXPB	(+)	Entrée données reçues sur l'interface P et échantillonnées sur le front montant de l'horloge de réception RXCLKP (B-A)
3	RXPA	(-)	
4	TXPB	(+)	Sortie données émises sur l'interface P sur le front descendant de l'horloge d'émission TXCLKP (B-A)
5	TXPA	(-)	
6	TXCLKPB	(+)	Sortie * horloge d'émission ; en mode codirectionnel, le rythme de l'horloge d'émission est issu du rythme interne de l'équipement
7	TXCLKPA	(-)	
8	RXCLKPB	(+)	Entrée horloge de réception
9	RXCLKPA	(-)	

*En mode contradirectionnel esclave (entrant) les signaux TXCLK sont des entrées.

Chronogramme de l'interface "MNGT" en mode codirectionnel (utilisation synchrone 64 kbit/s) :

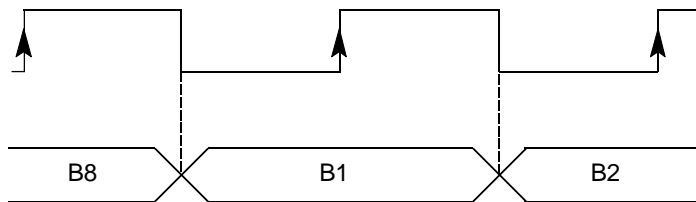
TXCLKP (B-A)
(sortie horloge d'émission codirectionnelle)

TXP (B-A)
(sortie données émises sur l'interface P)



RXCLKP (B-A)
(entrée horloge de réception)

RXP (B-A)
(entrée données reçues sur l'interface P)



1.3.2.3 - Accès de synchronisation 2 Mbit/s G.703

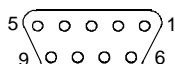
Interface "SYNC"

Accès 2 Interfaces d'entrée de synchronisation externe à 2 MHz G.703 (T3) et une interface de sortie de synchronisation à 2 MHz G.703 (T4) Conforme à la recommandation G.703 de l'UIT-T (§ 10.3 pour l'interface d'entrée, § tab.10 pour l'interface de sortie)

Débit 2,048 Mbit/s ± 50 ppm,

Impédance 120 Ω symétrique,

Connecteur HE5 9 points femelles (120 Ω).



N° de broche	Désignation du signal	Remarques
1	GND	Terre
6	TX1 RING (T4-)	Sortie T4-1 (point froid)
2	TX1 TIP (T4+)	Sortie T4-1 (point chaud)
7	RX2 TIP (T3+)	Entrée T3-2 (point chaud)
3	RX1 TIP (T3+)	Entrée T3-1 (point chaud)
8	RX1 RING (T3-)	Entrée T3-1 (point froid)
4	RX2 RING (T3-)	Entrée T3-2 (point froid)
9	NC	Réservé
5	NC	Réservé

NOTA : Le blindage du connecteur est relié à la masse électrique de la face avant du châssis

1.3.2.4 - Accès de trafic 21 x 2 Mbit/s G.703

Accès "E1 INPUT" et "E1 OUTPUT" :

Accès Accès de trafic 21 x 2 Mbit/s Conforme à la recommandation G.703 de l'UIT-T (§ 6.3 pour l'interface d'entrée, § tab.6 pour l'interface de sortie)

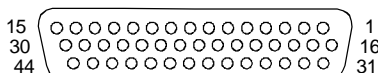
Débit 2,048 Mbit/s ± 50 ppm,

Code HDB3,

Impédance 120 Ω symétrique,

Connecteur SUB D haute densité 44 points femelles supportant le câble L907 (21 accès).

Deux connecteurs sont associés aux accès : les appellations (RX) correspondent à celles du connecteur E1 INPUT et les appellations (TX) à celles du connecteur E1 OUTPUT.

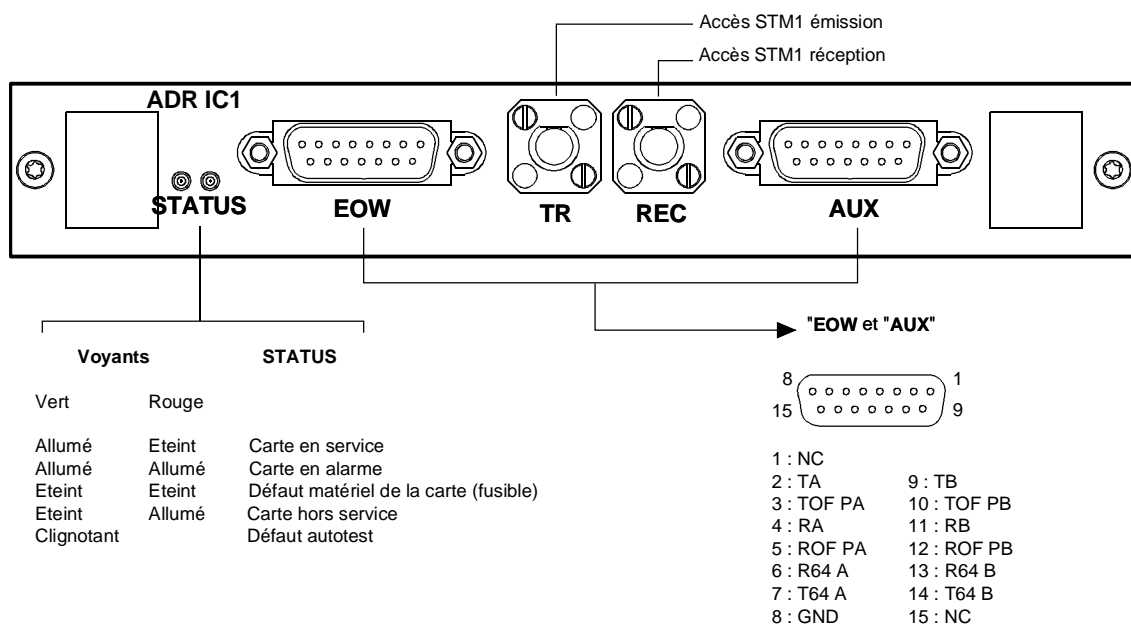


1 - INSTALLATION ET MISE EN SERVICE

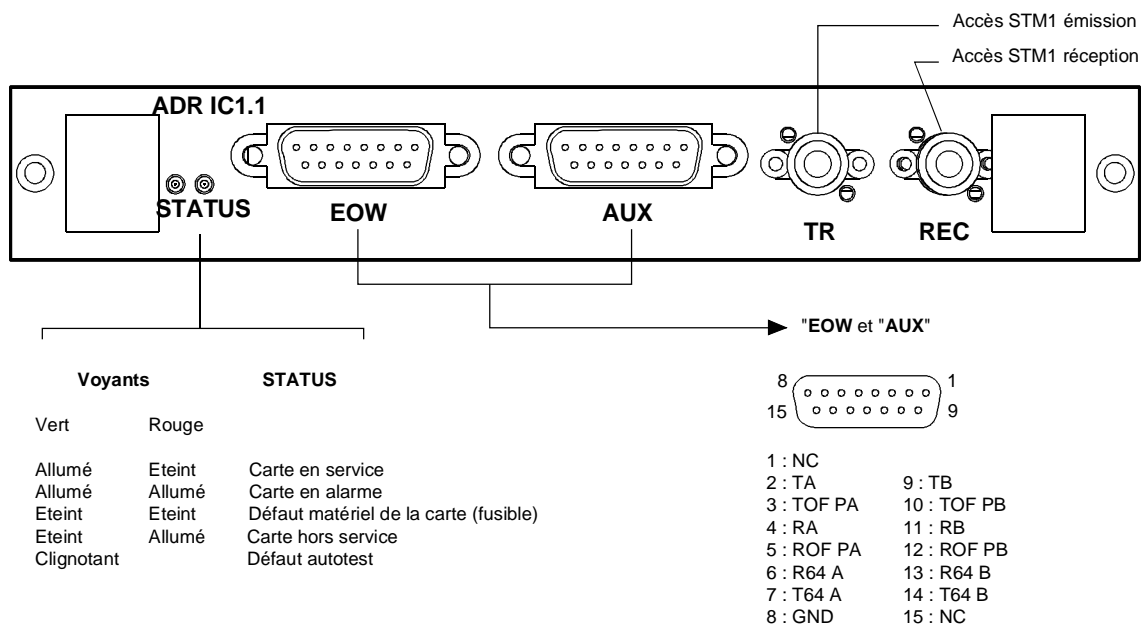
N° de broche		Accès	Désignation du signal	Remarques
	16		GND	Masse
1		1	TX(RX) 1B	Sortie (Entrée) 2 Mbit/s (point chaud)
			31	TX(RX) 1A
	17	2	TX(RX) 2B	Sortie (Entrée) 2 Mbit/s (point chaud)
			32	TX(RX) 2A
2		3	TX(RX) 3B	Sortie (Entrée) 2 Mbit/s (point chaud)
	18			TX(RX) 3A
		4	TX(RX) 4B	Sortie (Entrée) 2 Mbit/s (point chaud)
			33	TX(RX) 4A
3	19	5	TX(RX) 5B	Sortie (Entrée) 2 Mbit/s (point chaud)
			34	TX(RX) 5A
4		6	TX(RX) 6B	Sortie (Entrée) 2 Mbit/s (point chaud)
	20			TX(RX) 6A
		7	TX(RX) 7B	Sortie (Entrée) 2 Mbit/s (point chaud)
			35	TX(RX) 7A
5	21	8	TX(RX) 8B	Sortie (Entrée) 2 Mbit/s (point chaud)
			36	TX(RX) 8A
6		9	TX(RX) 9B	Sortie (Entrée) 2 Mbit/s (point chaud)
	22			TX(RX) 9A
		10	TX(RX) 10B	Sortie (Entrée) 2 Mbit/s (point chaud)
			37	TX(RX) 10A
7	23	11	TX(RX) 11B	Sortie (Entrée) 2 Mbit/s (point chaud)
			38	TX(RX) 11A
8		12	TX(RX) 12B	Sortie (Entrée) 2 Mbit/s (point chaud)
	24			TX(RX) 12A
		13	TX(RX) 13B	Sortie (Entrée) 2 Mbit/s (point chaud)
			39	TX(RX) 13A
9	25	14	TX(RX) 14B	Sortie (Entrée) 2 Mbit/s (point chaud)
			40	TX(RX) 14A
10		15	TX(RX) 15B	Sortie (Entrée) 2 Mbit/s (point chaud)
	26			TX(RX) 15A
		16	TX(RX) 16B	Sortie (Entrée) 2 Mbit/s (point chaud)
			41	TX(RX) 16A
11	27	17	TX(RX) 17B	Sortie (Entrée) 2 Mbit/s (point chaud)
			42	TX(RX) 17A
12		18	TX(RX) 18B	Sortie (Entrée) 2 Mbit/s (point chaud)
	28			TX(RX) 18A
		19	TX(RX) 19B	Sortie (Entrée) 2 Mbit/s (point chaud)
			43	TX(RX) 19A
13	29	20	TX(RX) 20B	Sortie (Entrée) 2 Mbit/s (point chaud)
			44	TX(RX) 20A
14		21	TX(RX) 21B	Sortie (Entrée) 2 Mbit/s (point chaud)
	30			TX(RX) 21A
15			GND	Masse

NOTA : Le blindage du connecteur est relié à la masse électrique de la face avant du châssis

1 - INSTALLATION ET MISE EN SERVICE



Version 1



NC : Réserve

Version 2

Figure 1-4 - Raccordement sur le module ADR IC1.x

1.3.3 - Raccordement sur le module ADR IC1.x

Chaque module ADR IC1.x permet de raccorder :

- un accès STM1 (un accès émission "TR" et un accès réception "REC")
- deux voies de service à 64 kbit/s (appelées "EOW" et "AUX") qui par défaut sont transportées respectivement dans les octets E1 et F1 du SOH

1.3.3.1 - Raccordement des accès STM1

Retirer le connecteur protège contacts,

Raccorder les accès STM-1 sur les connecteurs FC/PC de face avant :

- ⇒ Emission Connecteur TR
- ⇒ Réception Connecteur REC

Accès "TR" et "REC" :

Type d'interface	: IC 1.1 = L 1.1 + S 1.1 ou IC 1.2 = L 1.2 + S 1.2,
Débit	: 155,520 Mbit/s ± 15 ppm,
Norme	: UIT-T G.957/G.958,
Codage	: Non codé (NRZ),
Fibre optique*	: monomode (1300 nm (IC1.1) ou 1550 nm (IC1.2), UIT-T G.652),
Puissance émise	: -5 à 0 dBm
Puissance reçue maximum	: 0 dBm
Sensibilité à 10 ⁻¹⁰	: - 34 dB
Atténuation garantie	: 0 - 28 dB sans atténuateur externe,
Portée typique	: 0 - 60 km (IC1.1) ou 0 - 90 km (IC1.2),
Connecteur	: FC/PC tout céramique

* : Il est possible d'utiliser une fibre optique multi-mode, de diamètre inférieur ou égal à 62,5 microns. Le budget optique est alors réduit à 25 % du budget optique obtenu avec une fibre mono-mode. La fibre optique émission est de type mono-mode et la fibre optique réception est de type multi-mode.

1.3.3.2 - Raccordement des voies de service,

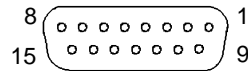
Interface "EOW" et "AUX" :

Accès	synchrone V.11 (différentiel),
Débit	64 kbit/s,

1 - INSTALLATION ET MISE EN SERVICE

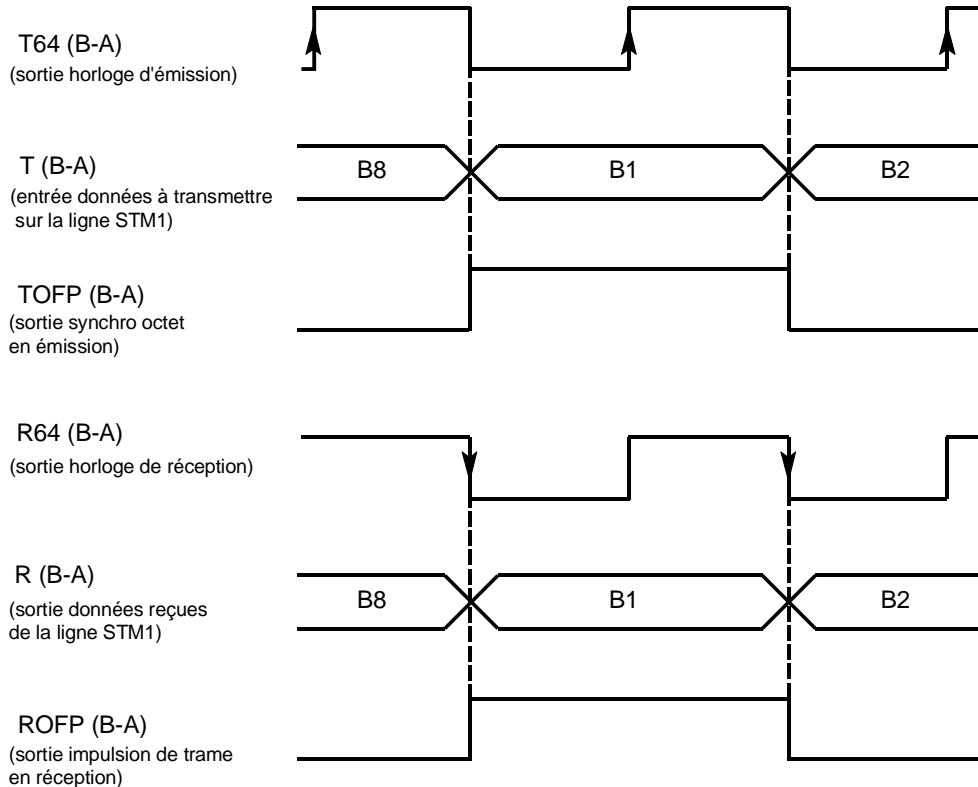
Connecteur

Type HE5 - 15 points femelles.



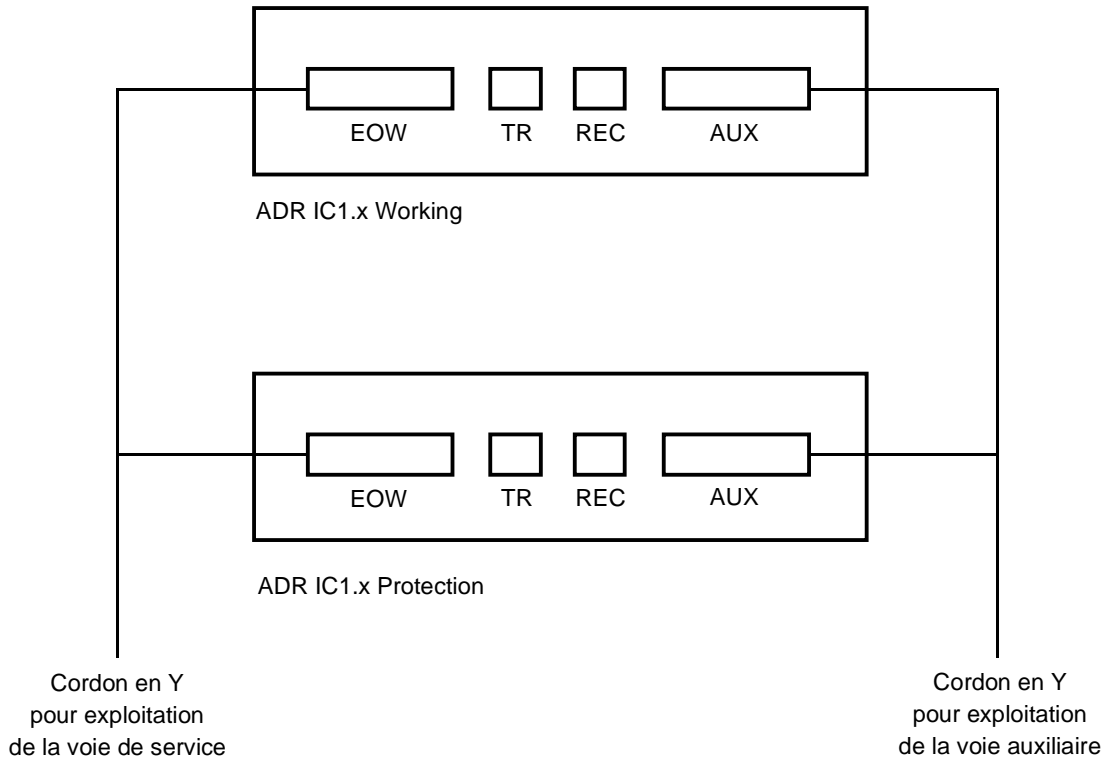
N° de broche	Désignation du signal	Polarité	Remarques
1	-		Non connecté
9	TB	(+)	Entrée données à transmettre sur la trame STM-1 et échantillonnées sur le front montant de l'horloge T64 (B-A)
2	TA	(-)	
10	TOFPB	(+)	Sortie synchro octet en émission indiquant le positionnement du bit 1 et émise sur le front montant de l'horloge T64 (B-A)
3	TOFPA	(-)	
11	RB	(+)	Sortie données extraites de la trame STM-1 et émises sur le front descendant de l'horloge R64 (B-A)
4	RA	(-)	
12	ROFPB	(+)	Sortie synchro octet en réception indiquant le positionnement du bit 1 et émise sur le front descendant de l'horloge R64 (B-A)
5	ROFPA	(-)	
13	R64B	(+)	Sortie horloge de réception à 64 kHz
6	R64A	(-)	
14	T64B	(+)	Sortie horloge d'émission à 64 kHz
7	T64A	(-)	
15	-		Non connecté
8			Masse

Chronogramme de l'interface "EOW/AUX" en mode contra-directionnel (utilisation synchrone 64 kbit/s) :



1.3.3.3 – Raccordement avec exploitation MSP

Les accès EOW et AUX étant physiquement solidaires des modules ADR IC1.x, l'exploitation des voie de service et voie auxiliaire avec protection MSP nécessite l'utilisation d'un cordon en Y reliant électriquement un à un à l'identique les signaux des connecteurs EOW et AUX.



De même pour garantir un bon comportement lors du basculement d'un module sur l'autre, l'opérateur doit veiller à conserver une configuration identique sur les deux cartes ADR IC1.x ; un message d'avertissement apparaît en cas de modification.

Seules les connexions ne sont pas identiques. Il ne doit pas y avoir de connexions sur le module en "Protection" toutes les connexions étant créées sur le module "Working".

1.3.4 - Raccordement sur le module ADR LAN1

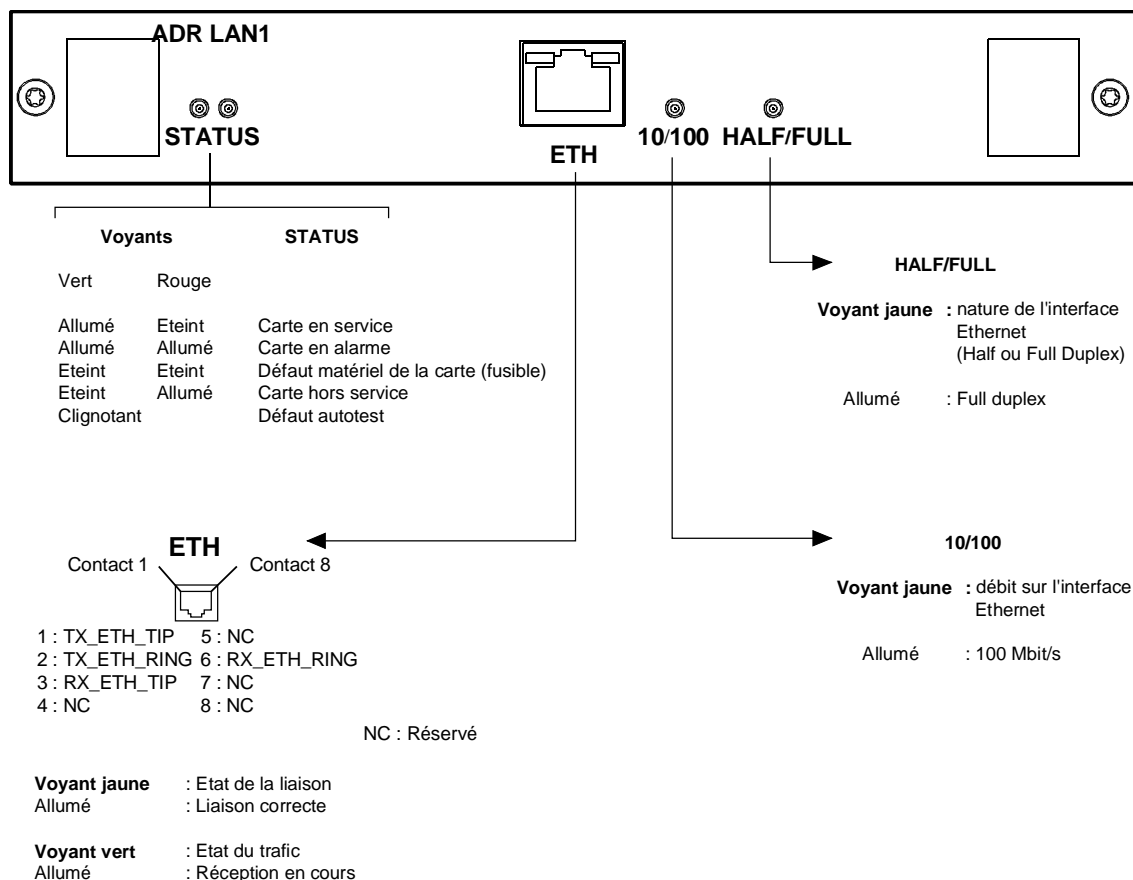


Figure 1-5 - Raccordement sur le module ADR LAN1

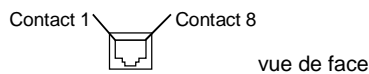
Interface "ETH" :

Accès

Interface Ethernet de trafic fonctionnant à 10 ou 100 Mbit/s en mode half duplex ou full duplex selon le mode utilisé par l'interlocuteur (adaptation dynamique du port Ethernet à chaque nouvelle connexion de l'interlocuteur),

Connecteur

Prise Ethernet 10 ou 100 BaseT - Type RJ48 (RJ45 blindé).



N° de broche	Désignation du signal	Remarques
1	TX_ETH_TIP	Sortie Ethernet (point chaud)
2	TX_ETH_RING	Sortie Ethernet (point froid)
3	RX_ETH_TIP	Entrée Ethernet (point chaud)
4	NC	Réservé
5	NC	Réservé
6	RX_ETH_RING	Entrée Ethernet (point froid)
7 et 8	NC	Réservé

NOTA : Deux LEDs sont associées au connecteur "ETH" :

- LED, de couleur verte, "Activity" : indicateur de l'état du trafic,
- LED, de couleur jaune, "Link" : indicateur de l'état de la liaison.

Caractéristiques électriques conformes à l'IEEE 802.3U

1.3.5 - Raccordement sur le module ADR 21E120

Les raccordements de trafic à 2 Mbit/s effectués sur les accès "E1 INPUT" et "E1 OUTPUT" de la carte ADR21E120 sont identiques à ceux effectués sur les accès "E1 INPUT" et "E1 OUTPUT" de la face avant de la carte-mère (voir § 1.3.2.4)

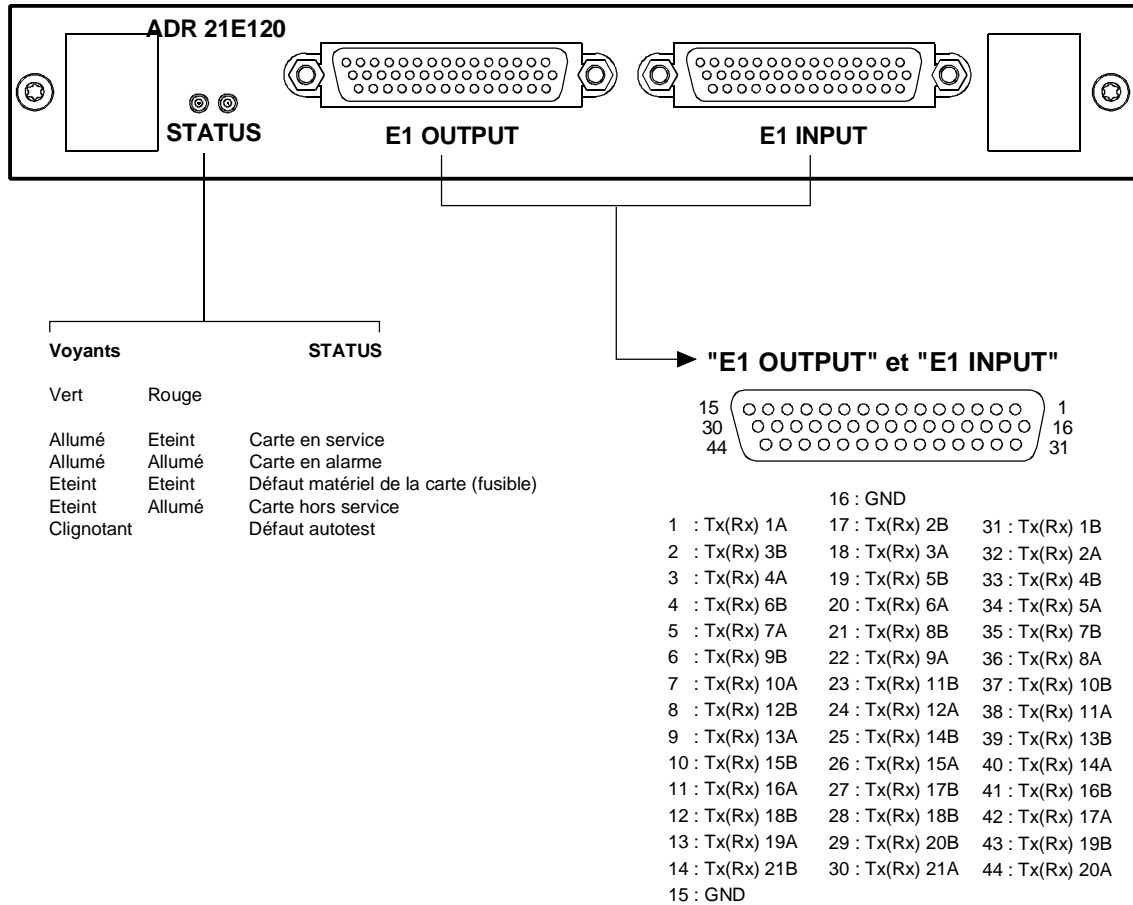


Figure 1-6 - Raccordement sur le module ADR 21E120

1.3.6 - Bandeau de raccordement 75 Ω

Rédaction réservée

Figure 1-7 - Bandeau de raccordement 75 Ω

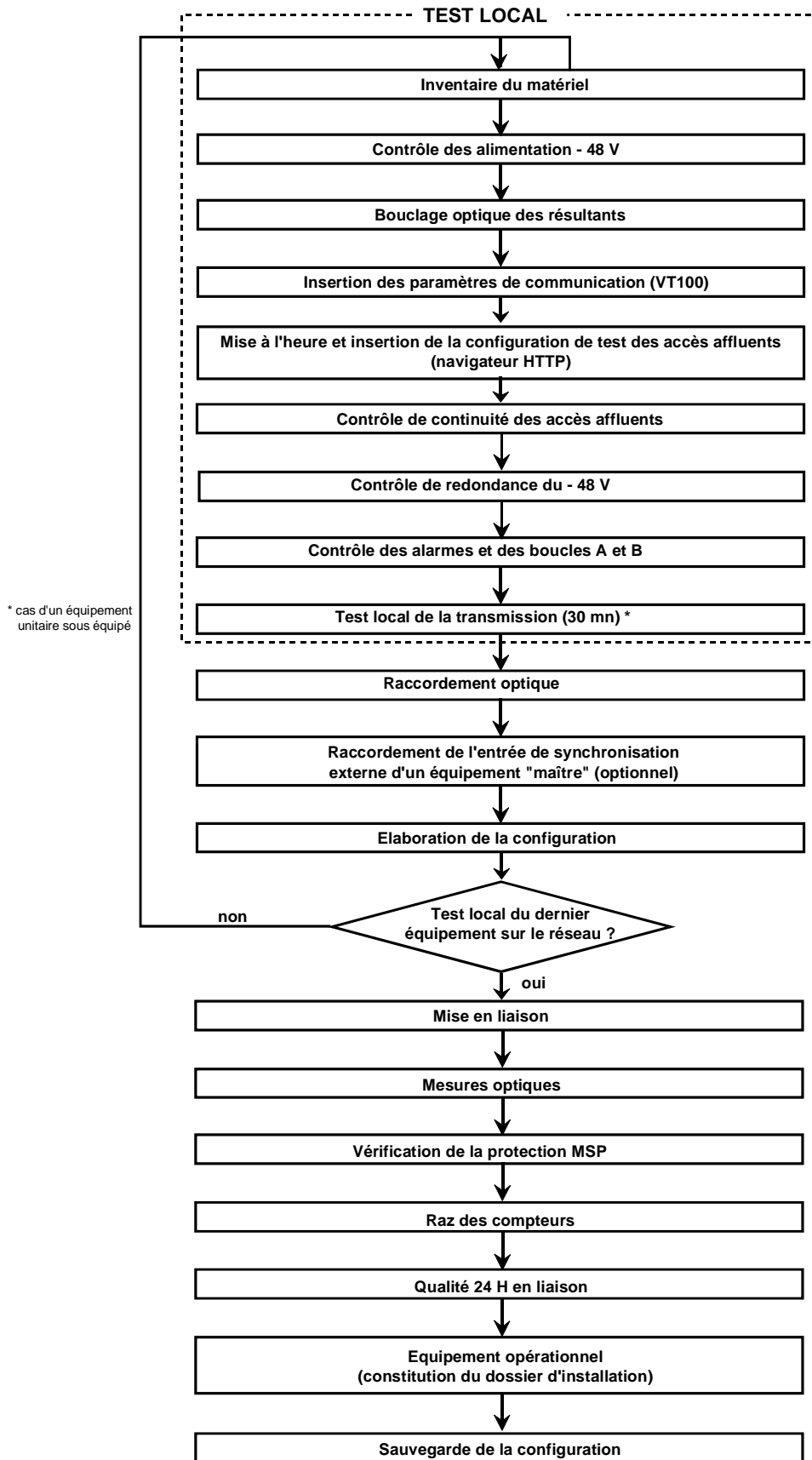


Figure 1-8 - Processus de mise en service d'un réseau d'ADR155C

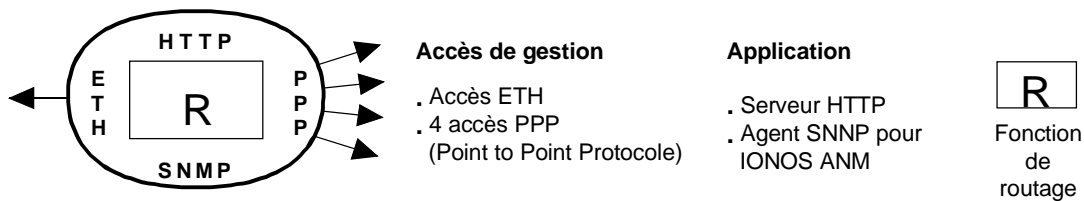
1.4 - Mise en service

NOTA : L'exploitation de l'équipement peut être réalisée à partir d'un PC équipé d'une émulation VT100 et du navigateur HTTP ; sa configuration minimale est définie au paragraphe 1.4.1.
Un terminal local avec émulation VT100 est indispensable lors de la première mise en service, afin de pouvoir accéder à l'équipement via la fonction de gestion ; toutefois, celui-ci ne permet que le paramétrage de la fonction communication

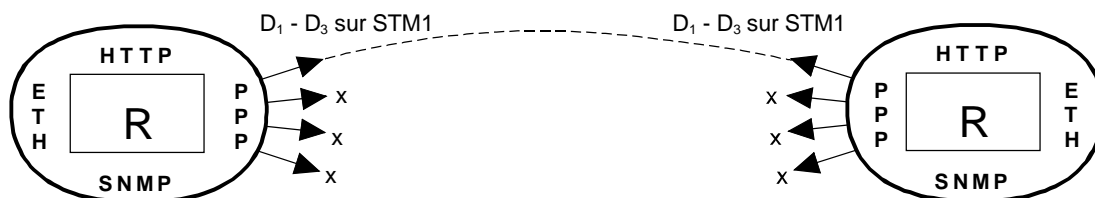
Procédure.

- ☞ A la première mise en service, l'équipement scrute sa constitution et la prend comme configuration attendue, en service, non monitoré. Il est donc conseillé d'insérer toutes les cartes d'accès avant la mise sous tension afin d'accélérer la mise en service.
- ☞ Mettre en marche l'alimentation raccordée à l'équipement.
- ☞ L'équipement effectue des auto-tests :
 - lorsque les auto-tests se sont déroulés correctement, le voyant "**ON**" est allumé,
 - dans le cas contraire, un code de clignotement du voyant définit l'auto-test défaillant (contacter la hotline).
- ☞ Paramétrer l'interface de communication à l'aide de la VT100 (voir § 1.4.1).
- ☞ A l'aide du navigateur HTTP, (voir § 1.4.3).
 - Mettre à jour l'heure et la date de l'équipement
 - Mettre chaque carte d'accès sous surveillance : valider la commande "**Monitoring**".
- ☞ Raccorder les accès 2 Mbit/s et/ou Ethernet, selon la constitution de l'équipement,
- ☞ Raccorder les accès AUX et EOW nécessaires.
- ☞ Télécharger une configuration prédéfinie ou élaborer la configuration souhaitée à l'aide du navigateur HTTP :
 - Créer les connexions
 - Etablir les sécurisations souhaitées (protection MSP, protection SNC ..)
 - Choisir la source de synchronisation et modifier ses paramètres si nécessaire.
 - Modifier si nécessaire les paramètres de surveillance et la configuration des alarmesLa configuration par défaut des différents paramètres est donnée au § 2.1.1.
- ☞ Effectuer les tests des liaisons STM-1 en respectant le processus décrit à la Figure 1-8.
- ☞ L'équipement est dès lors opérationnel.
- ☞ Les alarmes d'exploitation peuvent signaler un mauvais raccordement des accès. Vérifier le raccordement des accès, les alarmes qui correspondent aux accès raccordés et corriger les problèmes éventuels.
- ☞ Effectuer une sauvegarde de la configuration

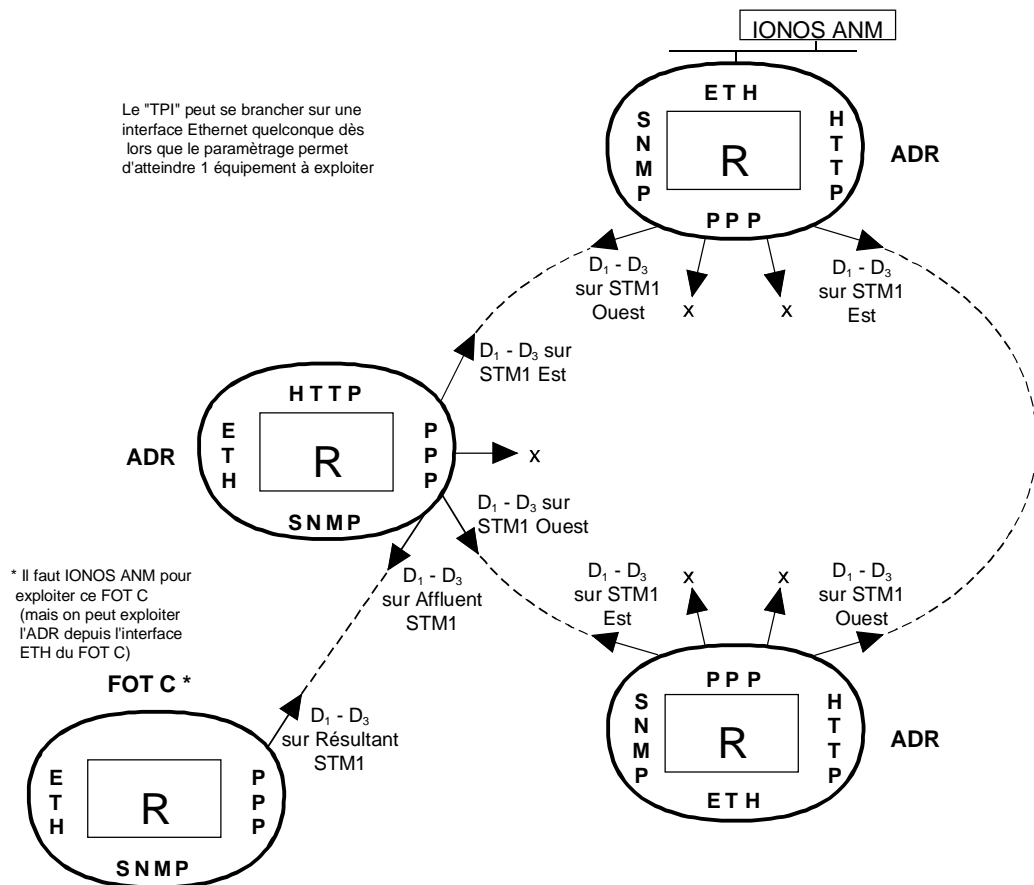
REMARQUE : Il est possible, une fois la mise en service effectuée, de raccorder des accès supplémentaires 2 Mbit/s G.703, Ethernet ou STM1 et d'insérer ou d'extraire des cartes sous tension.



Fonction de communication sur un ADR 155C



Exemple 1 : communication sur une liaison point à point d'ADR 155C



Exemple 2 : communication sur un anneau d'ADR 155C et de FOT 155C

Figure 1-9 – Exemples de configuration de la fonction de communication

1.4.1 - Configuration nécessaire

La configuration minimale proposée pour le PC d'exploitation est la suivante :

<i>Description</i>	<i>Configuration 1</i>	<i>Configuration 2</i>
Processeur	Pentium à 266 MHz	
Mémoire	32 Mo	64 Mo
Affichage	800x600, 256 couleurs (conseillé 1024x768)	
Interface	Interface série RS232 Carte réseau Ethernet 10 base T	
Système d'exploitation	Windows 95	Windows NT4
Applications	Hyperterminal pour Windows Navigateur HTTP : Netscape Communicator 4.5	

1.4.2 - Paramétrage de la fonction communication

La Figure 1-9 présente les ressources disponibles et différentes configurations possibles de la fonction de communication;

- ☞ Raccorder l'accès "**COMM**" de l'équipement à un port "COM" non utilisé du PC avec émulation VT100,
- ☞ Mettre le PC sous tension,
- ☞ Lancer l'application Hyper Terminal
 - Lors de la première utilisation, procéder comme suit:
 - raccorder l'accès "**COMM**" de l'équipement à un port "COM" non utilisé du PC,
 - mettre le PC sous tension,
 - sélectionner, successivement, dans le bureau de Windows les boutons de commande Démarrer, Programmes, Accessoires et HyperTerminal,
 - choisir l'icône représentative de l'application HyperTerminal,
 - une fenêtre de description de la connexion apparaît ; donner un nom et choisir une icône pour la connexion et valider vos choix,
 - une nouvelle fenêtre apparaît ; choisir le port "COM" du PC qui est raccordé à l'équipement et valider votre choix,
 - une nouvelle fenêtre apparaît ; configurer les paramètres du port comme indiqué ci-dessous et valider la programmation :
 - . Bits par seconde : 19200,
 - . Bits de données : 8,
 - . Parité : aucun,
 - . Bits d'arrêt : 1,
 - . Contrôle du flux : aucun,
 - enregistrer la connexion (commande Enregistrer du menu Fichier de l'application).

NOTA : Lors de la prochaine ouverture de l'application "Hyperterminal", il suffira de choisir l'icône de la connexion pour se connecter sur l'équipement.

A la mise sous tension de l'équipement, le menu d'exploitation apparaît.

Pour quitter l'application "Hyperterminal", sélectionner la commande Quitter du menu Fichier.

1 - INSTALLATION ET MISE EN SERVICE

- ☞ Ouvrir une session et entrer votre mot de passe (pour paramétrer la fonction de communication, il est indispensable de disposer des droits "supervisor")

NOTE : par défaut, lors de la première mise en service, le mot de passe est vide.

- ☞ Le menu ci-dessous apparaît :

```
ADR155C          SPACE : refresh,   ESC : previous,   / : main menu

                MAIN MENU

                1 - Interfaces configuration
                2 - Static routes configuration
                3 - Display routing informations
                4 - Reboot equipment
                5 - Logout

Choice ? _

                Granted supervisor level
```

Pour sélectionner une commande, taper le numéro de la commande dans la zone de texte "**Choice ?**" et appuyer sur la touche "ENTER" pour valider votre choix.

- ☞ Choix "1" : Configuration des interfaces de communication,

```
ADR155C          SPACE : refresh,   ESC : previous,   / : main menu

                INTERFACES          DCCl:D1-D3

Port+Admin+      @ip      + subnet mask + @ip of dest. + Path + RIP
-----+-----+-----+-----+-----+-----+-----+
Eth   ON   020.000.000.010 255.000.000.000
PPP1  ON   030.000.000.001 255.000.000.000 000.000.000.000 MNGT  ON
PPP2  OFF  000.000.000.000 000.000.000.000 000.000.000.000      OFF
PPP3  OFF  000.000.000.000 000.000.000.000 000.000.000.000      OFF
PPP4  OFF  000.000.000.000 000.000.000.000 000.000.000.000      OFF

MODIFY INTERFACE PARAMETERS (0->Eth, 1->PPP1, 2->PPP2, 3->PPP3, 4->PPP4) ? _
```

1 - INSTALLATION ET MISE EN SERVICE

L'écran présente les 5 interfaces de communication possibles avec leurs caractéristiques et propose de modifier chacune d'elles tour à tour. Ces interfaces sont :

- un accès Ethernet –ETH
- 4 accès PPP (Point to Point Protocole) – PPP1 à PPP4 - à choisir parmi les chemins de gestion suivants :
 - soit aux octets D1 à D3 du canal DCC1 d'une trame STM1 (appelés DCC1-A, DCC1-B, DCC1-C ou DCC1-D selon le nombre et la position des modules ADR IC1.x dans l'équipement) ,
 - soit l'interface MNGT

Chaque interface est définie par ses caractéristiques:

- "**Port**" : port physique "**ETH**", "**PPP1**" à "**PPP4**"
- "**Admin**" ou état de l'interface : "**ON**" (interface active) ou "**OFF**" (interface non active)
- "**@ IP**" : adresse IP
- "**subnet mask**" : masque de sous-réseau
- "**@ IP of dest**" : adresse IP du destinataire (pour les ports PPP uniquement)
- "**Path**" : chemin de gestion choisi pour les ports PPP (DCC1x ou MNGT)
- "**RIP**" : autoadaptativité du routage de gestion à la structure du réseau validée ou non (limitée à 16 bonds sans passerelle)

La sauvegarde du paramétrage s'effectue port par port.

- ☞ Choix "**2**" : Configuration des routes statiques,

```
ADR155C          SPACE : refresh,      ESC : previous,    / : main menu
                STATIC ROUTES      Page: 1/1
No + destination @ip +  subnet mask +  next hop @ip + Interface + Cost
-----+-----+-----+-----+-----+-----
1  128.000.000.000  255.255.000.000  020.000.000.020  PPP1      2

u:page up -- d:page down -- a:add route -- m:modify route -- e:erase route
```

L'écran visualise les routes de gestion déjà définies avec leurs caractéristiques :

- "**No**" : référence de la route
- "**destination @ IP**" : adresse IP du destinataire (équipement ou sous-réseau)
- "**subnet mask**" : masque de sous-réseau
- "**next hop @ IP**" : adresse IP de l'équipement suivant (connecté en direct avec l'équipement donné)
- "**interface**" : interface utilisée pour atteindre l'équipement suivant
- "**cost**" : ou "metric", nombre de bonds pour atteindre le destinataire.

A partir de cet écran, il est possible de modifier les routes existantes, de les supprimer ou d'en créer de nouvelles (le routage statique est nécessaire si des FOT155C sont présents dans le réseau ou pour une interconnexion avec un sous-réseau voisin).

- ☞ Choix "3" : Affichage des informations de routage,

```
ADR155C          SPACE : refresh,   ESC : previous,   / : main menu
                RIP ROUTING TABLE          Page: 1/1
destination @ip+ subnet mask + next hop @ip + Intf + Proto + Type + Cost
-----+-----+-----+-----+-----+-----+-----+-----+-----+
020.000.000.000 255.000.000.000 020.000.000.010 Eth local dir.
030.000.000.000 255.000.000.000 030.000.000.001 PPP1 other dir.
255.255.255.255 255.255.255.255 127.255.251.223 (null) other other -9

t:toggle route filter -- u:page up -- d:page down

                INTERFACES
Port+Status+ @ip + subnet mask + @ip of dest. + Path + SOH + RIP
-----+-----+-----+-----+-----+-----+-----+
Eth ON 020.000.000.010 255.000.000.000
PPP1 DOWN 030.000.000.001 255.000.000.000 000.000.000.000 MNGT ON
PPP2 OFF
PPP3 OFF
PPP4 OFF
```

Cet écran permet de visualiser la table de routage, de lister les routes dynamiques et/ou statiques ainsi que la configuration des interfaces

- ☞ Choix "4" : REBOOT de l'équipement,

Cette commande permet d'effectuer un REBOOT immédiat de l'application et de redémarrer avec les paramètres déjà mémorisés dans l'équipement

- ☞ Choix "5" : Logout / Déconnexion

Le paramétrage terminé, cette commande ferme la session en cours

Une sortie de session automatique est effectuée après quelques minutes de non activité (délai paramétrable à partir du gestionnaire).

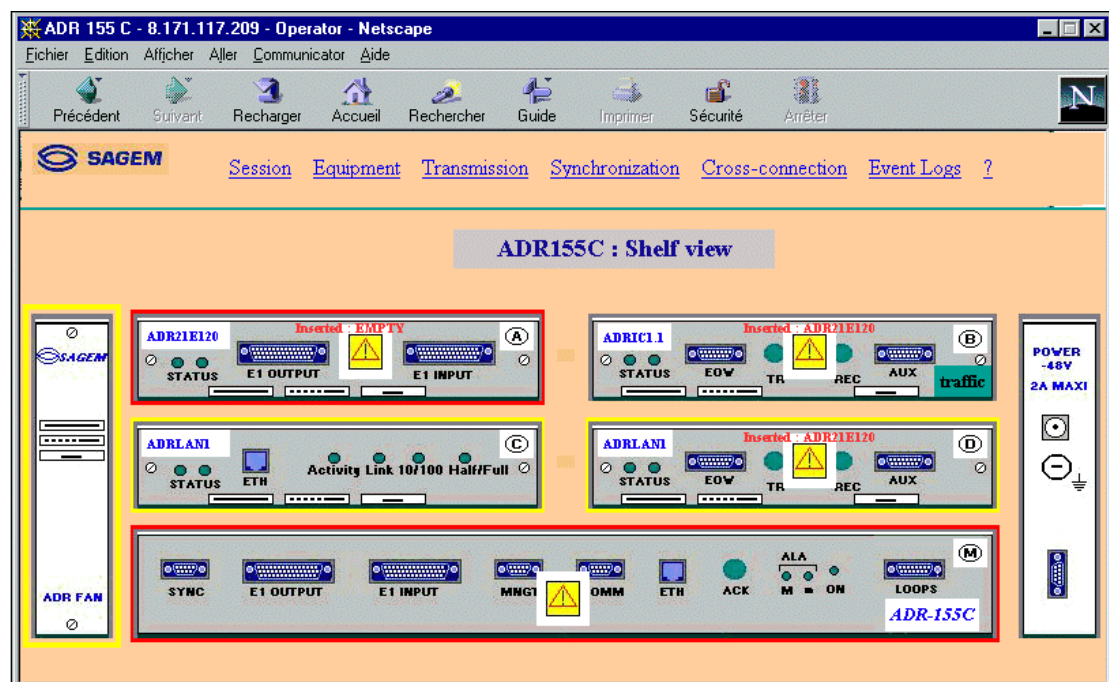
1.4.3 - Utilisation du navigateur HTTP

1.4.3.1 - Première mise en service

- Lancer l'application NESCAPE
 - Dans l'écran d'accueil, renseigner le champ "Adresse" avec l'adresse IP de l'équipement ADR155C
- ATTENTION :** Avec NESCAPE 4.5, l'adresse IP de l'équipement ne doit pas comporter de '0' non significatif. Exemple : "http://135.11.9.30/" au lieu de "http://135.11.09.30/".
- L'écran d'accueil du navigateur "Welcome on the ADR155C's site" apparaît.
 - Lors de la première mise en service, le mot de passe est vide ; cliquer sur **Apply** pour accéder à l'écran "ADR155C shelf view"
 - Le navigateur est dès lors, opérationnel.

1.4.3.2 - Présentation du navigateur

A l'ouverture d'une session sur le navigateur HTTP, l'écran "ADR155C shelf view" représente la vue globale de l'équipement, où chaque alvéole est repérée par une lettre A, B, C, D ou M conformément à la Figure 1-1.



Cet écran permet de visualiser l'état de l'équipement, en particulier :

- les incohérences entre configuration et constitution : chaque alvéole comporte le nom de la carte attendue (haut, gauche) et le nom de la carte insérée (au milieu, en rouge, si nécessaire),
- les modules en alarme, encadrés en rouge dans le cas d'une alarme majeure, en jaune pour une alarme mineure,
- les modules configurés hors surveillance sont représentés en grisé.
- Les modules configurés hors service comportent une croix pour signaler cet état administratif.

Cet écran permet également :

- d'activer les fonctionnalités communes de l'équipement telles que la synchronisation, la sécurité, les informations de trafic, etc en cliquant sur une fonction de la barre de menu ; voir arborescence du menu général Figure 1-10 .
- d'accéder aux fonctionnalités liées à un module en particulier (par exemple, protection MSP dans le cas d'un module ADRIC1.x) : double click sur le module à sélectionner, la flèche de sélection clignote et son menu spécifique apparaît ; voir arborescence des menus "carte" Figure 1-10
- de visualiser les caractéristiques propres à un accès (connexions effectuées, configuration de celles-ci, état des alarmes ...) en sélectionnant le connecteur correspondant.

Pour chaque fonction visualisée, les paramètres de configuration, les commandes d'exploitation, les paramètres actifs et l'état des alarmes sont regroupés sur le même écran, les différentes actions possibles étant accessibles ou non à l'opérateur selon son niveau d'habilitation.

Le bord supérieur de la fenêtre du navigateur rappelle l'adresse IP de l'équipement le niveau d'habilitation acquis et, si besoin, l'alvéole concernée.

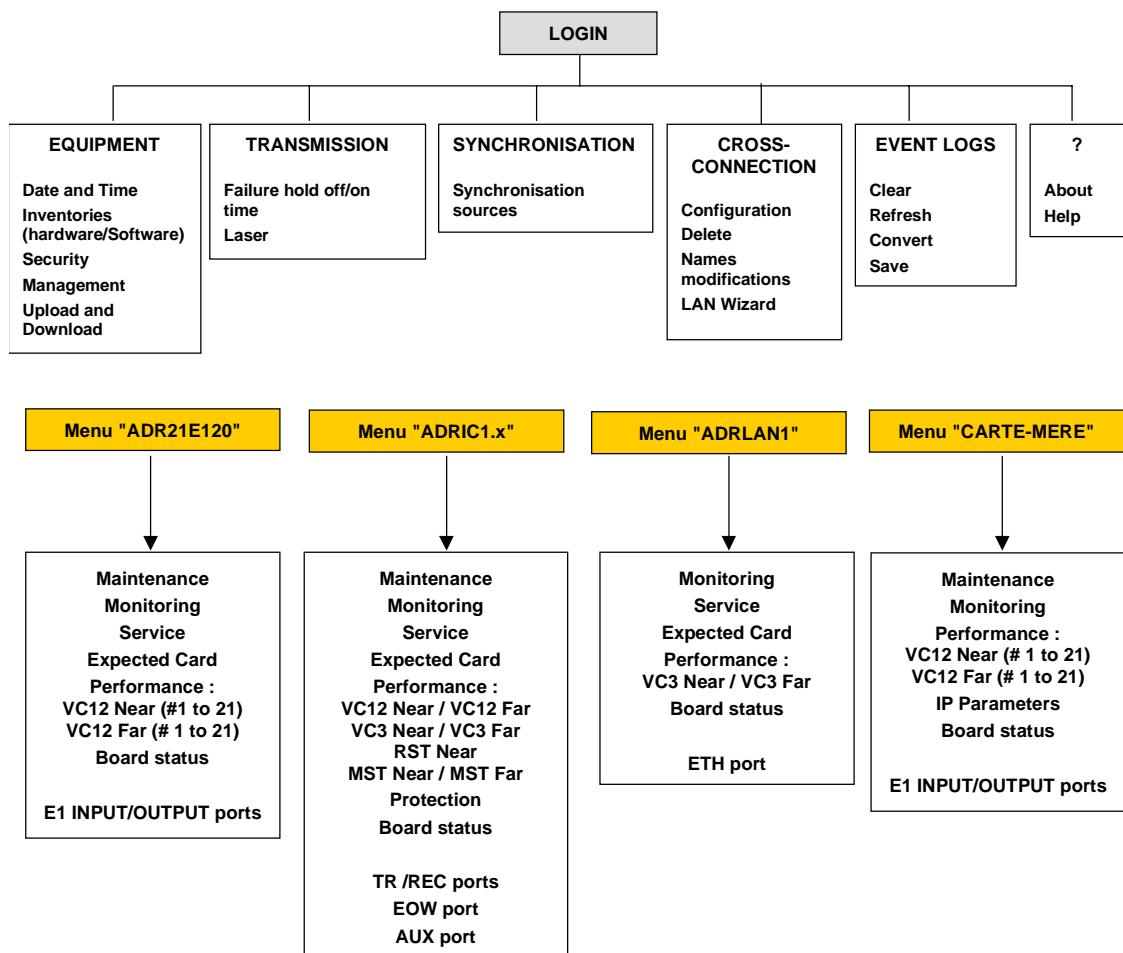


Figure 1-10 - Arborescence des menus

2. EXPLOITATION

2.1 - Présentation fonctionnelle

L'ADR 155C est un multiplexeur add-drop optique STM1 qui permet de construire des liaisons point à point STM1, des anneaux STM1 ou des réseaux maillés, en réalisant, ainsi le déport de liaisons à 2 Mbit/s, Ethernet ou STM1.

L'ADR 155C peut aussi être raccordé à un équipement de la hiérarchie numérique synchrone conforme aux recommandations G.707 et G.783 de l'UIT-T.

La modélisation de l'ADR 155C en blocs fonctionnels selon la norme G.783 est présentée ci-après :

SPI : Interface Physique synchrone		
RST : Terminaison de section de régénération		OHA : Accès au surdébit
MST : Terminaison de section de multiplexage		
MSP : Protection de section de multiplexage		
		SETS : Source de rythme de l'équipement synchrone
MSA : Adaptation de section de multiplexage		
HPOM : Surveillance de préfixe de conduit d'ordre supérieur		SETPI : Interface physique de synchronisation de l'équipement synchrone
HPC : Connexion de conduit d'ordre supérieur		
HPT : Terminaison de conduit d'ordre supérieur		
HPA : Adaptation de conduit d'ordre supérieur		SEMF : Fonction de gestion d'équipement synchrone
LUG : Générateur de conduit d'ordre d'ordre inférieur non équipé		
LPOM : Surveillance de préfixe de conduit d'ordre inférieur		MCF : Fonction de communication de message
LPC : Connexion de conduit d'ordre inférieur		
LPT : Terminaison de conduit d'ordre inférieur		
LPA Adaptation de conduit d'ordre inférieur (VC12)	Adaptation de conduit d'ordre inférieur (VC3)	
PPI : Interface physique plésiochrone (VC12)	Interface physique plésiochrone (VC3)	

2.2 - Généralités

L'exploitation et la maintenance de l'ADR 155C sont réalisées:

- soit directement sur l'équipement, au moyen des voyants de la face avant et des deux boucles de gestion technique (boucles A et B),
- soit à partir d'un PC équipé d'un navigateur HTTP,
- soit à partir d'un gestionnaire de réseau par l'utilisation du protocole SNMP.

2.3 - Paramètres d'exploitation

Les paramètres d'exploitation regroupent :

- les paramètres de configuration,
- les commandes ou opérations de maintenance (ces actions sont effacées en cas de perte de l'alimentation)
- les alarmes et leur sévérité.

Paramètres de configuration

NOTA : La dénomination des blocs fonctionnels, les paramètres de configuration et leur valeur par défaut, notés "XXXXXX", sont visualisés sur le navigateur HTTP.

Paramètres de configuration en fonction des blocs fonctionnels	Valeur par défaut
<i>SPI : Interface physique SDH (SDH Physical Interface)</i>	
La fonction coupure automatique du Laser est toujours activée (fonctionnalité globale à l'équipement) "ALS" (Automatic Laser Shutdown)	"enable"
<i>MST : Terminaison de section de multiplexage (Multiplex section Termination)</i>	
Surveillance de l'EBER-B2 ; configurable en "Monitoring" ou "No Monitoring" Lorsque EBER-B2 n'est pas surveillé, les actions conséquentes AIS, SF et MS-RDI sont inhibées	" Monitoring "
Seuil SD-B2 : configurable de 10^{-6} à 10^{-9} "SD-B2 threshold"	" 10^{-6} "
<i>MSP : Protection de section de multiplexage (Multiplex Section Protection)</i>	
Type de liaison : 1+0 ou 1+1	"1+0"
Mode de sécurisation : bidirectionnel / unidirectionnel "Mode "	"BIDIR"
Autorisation de réversibilité : retour après une durée WTR sur la liaison normal lorsque le défaut (SF ou SD) ayant entraîné la commutation a disparu "Revertive"	"OFF"

Tableau 2-1 – Paramètres de configuration (1/6)

Paramètres d'exploitation en fonction des blocs fonctionnels	Valeur par défaut
<i>MSP : Protection de section de multiplexage (Multiplex Section Protection) - suite</i>	
Période WTR (Wait Time to Restore) : en mode réversible, temporisation de retour sur la liaison normale ; configurable de 0 à 15mn par pas de 1s "WTR"	"1 mn"
Priorité SF/SD selon la recommandation G.783 [1994] annexe A.1.2.1 ; valeur possible "high" ou "low" (compatibilité MXA) "Sf/sd priority"	"low"
Persistance des défauts SF et SD : configurable de 0 à 10s par pas de 100ms "Hold-off time"	"0 ms"
<i>HPOM : Surveillance de préfixe de conduit d'ordre supérieur (higher order path overhead monitor)</i>	
Etiquette signal (octet C2 du surdébit de conduit du VC4) attendue et reçue ; "Label" : -- "Expected", valeurs possibles : "01H" (équipement non spécifié) ou "02H" (structure en TUG) - "Received".	"02H"
<i>HPT : Terminaison de conduit d'ordre supérieur (Higher Order Path Termination)</i>	
Etiquette signal (octet C2 du surdébit de conduit du VC4) transmise, attendue et reçue; "Label" : - "Transmitted", valeurs possibles : "01H" (équipement non spécifié) ou "02H" (structure en TUG) - "Expected", valeurs possibles : "01H" (équipement non spécifié) ou "02H" (structure en TUG) - "Received". (valeur en hexadécimale)	"02H" "02H"
Path trace J1 émis : "UNNAMED VC4" + CRC7 non configurable et non traité en réception	"UNNAMED . VC4" + CRC7
<i>LUG : Générateur de conduit d'ordre inférieur non équipé (Lower order path Unequipped Generator)</i>	
Numéro des VC12s non équipés émis dans les TUG3s (par défaut, pas de connexion)	"FFH"
<i>LPOM : Surveillance de préfixe de conduit d'ordre inférieur (lower order path overhead monitor)</i>	
Etiquette signal (VC12 reçue : - "Label Rec".	
Etiquette signal (VC3 reçue : - "Label Rec".	
Seuil SD : configurable de 10^{-5} à 10^{-9} pour VC3 configurable de 10^{-5} à 10^{-8} pour VC12 "SD threshold"	" 10^{-6} "

Tableau 2-2 – Paramètres de configuration (2/6)

2 - EXPLOITATION

Paramètres d'exploitation en fonction des blocs fonctionnels	Valeur par défaut
<i>LPC : Connexion de conduit d'ordre inférieur (Lower order Path Connexion)</i>	
Matrice de connexion	Non mise en service
Nom des connexions (configurables conformément à M.1400 §13)	Pas de nom
Type : bidirectionnel / unidirectionnel	MONO
Sécurisation SNC	
Type	SNC/I
Mode de sécurisation	MONO
Autorisation de réversibilité, par conduit : retour après une durée WTR sur la liaison normal lorsque le défaut (SF ou SD) ayant entraîné la commutation a disparu "Revertive"	"no"
Période WTR (Wait Time to Restore), commune à tous les conduits : en mode réversible, temporisation de retour sur la liaison normale ; configurable de 0 à 15mn par pas de 1s "WTR"	"1 mn"
Persistance des défauts SF et SD par conduit : configurable de 0 à 10s par pas de 100ms "Hold-off time"	"0 ms"
<i>LPT : Terminaison de conduit d'ordre inférieur (Lower order Path Termination)</i>	
Etiquette signal (VC12) transmise, attendue et reçue; "Label" : - "Transmitted" ,: "000b" absence de connexion ou "010b" (asynchrone) en présence de connexion (non configurable par l'opérateur) - "Expected" , valeurs possibles : "001b" équipé sans spécification ou "010b" (asynchrone) - "Received" .	"010b"
Seuil SD-V5 (VC12) configurable de 10^{-5} à 10^{-8} pour VC12 "SD-V5 threshold"	"10^{-6}"
<i>Module ADRLAN</i>	
Etiquette signal (VC3# i) transmise, attendue et reçue; "Label" : - "Transmitted" , non configurable - "Expected" , non configurable - "Received" .	"A8H" "A8H"
Débit : Forçage du débit de l'accès Ethernet Le débit est imposé ou auto adaptatif à la connexion (sélection du débit maximal proposé sur le bus half ou full duplex)	10 Mbit/s
Contrôle du flux - LAN vers VC3_# i - VC3_# i vers VC3_# j ou LAN	60 % 60 %

Tableau 2-3 – Paramètres de configuration (3/6)

Paramètres d'exploitation en fonction des blocs fonctionnels	Valeur par défaut
<i>Module ADRLAN -suite</i>	
Configuration des interfaces - LAN en service / hors service - Age maximum du routage - Path trace J1 émis : "UNNAMED VC3" + CRC7 non configurable et non traité en réception	Service 300 s "UNNAMED . VC3" + CRC7
<i>SETS : Source de rythme de l'équipement synchrone (Synchronous Equipment Timing Source)</i>	
Niveau de qualité des sources de synchronisation ; " Quality " : - " PRC " (Primary Reference Clock), - " SSUT " (Synchronisation Supply Unit Transit), - " SSUL " (Synchronisation Supply Unit Local), - " SEC " (Synchronisation Equipment Clock), - " DNU " (Do Not Use), - " SSMB " (Synchronisation Status Message Byte) (qualité de synchronisation transporté dans l'octet S1).	T3 : PRC T1 : SSMB T2 : SEC T4 : SEC
Utilisation des messages d'état de synchronisation (SSM ; Synchronisation Status Message) ; "SSM"	"ON"
Table de priorité de T0, fonction des sources déclarées ; valeurs possibles : 1 à 8	"1" pour toutes les sources
N° de l'accès 2 Mbit/s choisi pour T2 ; " T2 Tributary port " (1 accès par carte 2 Mbit/s déclarée)	"1"
Autorisation de réversibilité, commune à toutes les sources : retour après une durée WTR sur la liaison normal lorsque le défaut (SF ou SD) ayant entraîné la commutation a disparu "Revertive"	"yes"
Période WTR (Wait Time to Restore), commune à tous les sources : en mode réversible, temporisation de retour sur la liaison normale ; configurable de 0 à 30mn par pas de 1s "WTR"	"1 mn"
Source sélectionnée pour T4 ; "Active source"	"T0"
Contrôle du mode SASE (activation ou désactivation)	désactivé
Choix de la source T3 pour le mode SASE (T3-1 ou T3-2)	T3-1
Seuil de qualité pour T4 - " PRC " (Primary Reference Clock), - " SSUT " (Synchronisation Supply Unit Transit), - " SSUL " (Synchronisation Supply Unit Local), - " SEC " (Synchronisation Equipment Clock),	"PRC"

Tableau 2-4 – Paramètres de configuration 4/6)

2 - EXPLOITATION

Paramètres d'exploitation en fonction des blocs fonctionnels	Valeur par défaut
<i>OHA : Accès au surdébit (OverHead Access)</i>	
Mode de fonctionnement de l'interface EOW; ; CO (codirectionnel) ou CT (contra-directionnel maître) "EOW configuration"	CT
Sélection de E1/E2"	E1
Mode de fonctionnement de l'interface AUX (F1); CO (codirectionnel) ou CT (contra-directionnel maître) "AUX configuration"	CT
<i>MCF : Fonction de communication de message (Message Communications Function)</i>	
Mode de fonctionnement de l'interface MNGT ; CO (codirectionnel) ou CT (contra-directionnel maître) "P port configuration"	CO
<i>Equipement</i>	
Session	
Choix d'une classe d'habilitation : Administrateur Exploitant Observateur	Admin
Un mot de passe par classe d'habilitation (Seul l'administrateur peut modifier le mot de passe)	Pas de mot de passe
Date et heure de l'équipement	"01/01/1970"
Etat des alvéoles A, B, C, D (alvéole configurée avec une carte attendue)	A, C:ADR21E120 B, D : ADRIC1.x
Surveillance	
Surveillance des modules Une carte non surveillée est indiquée dans la vue équipement ; le fait de ne pas surveiller une carte inhibe toute la gestion de la qualité et des défauts relatifs à celle-ci (carte et accès)	No Monitoring
Surveillance du châssis	Monitoring
Surveillance des accès Le fait de ne pas surveiller un accès inhibe toute la gestion des défauts relatifs à ce dernier	Monitoring pour accès physiques No Monitoring pour performance
Mise en/hors service d'une carte (La carte est ignorée par la fonction de gestion)	Service

Tableau 2-5 – Paramètres de configuration (5/6)

Paramètres d'exploitation en fonction des blocs fonctionnels	Valeur par défaut
<i>Equipement - Suite</i>	
Alarmes	
Gravité des alarmes La gravité de chaque alarme est configurable séparément avec les attributs suivants : Majeur, majeur inversé, mineur, mineur inversé, néant, néant inversé	Voir tableaux 2-9 à 2-11
Persistance des alarmes Persistance pour l'apparition : X = 1, 3, 10 ou 30s Persistance pour la disparition : Y = 1, 3, 10 ou 30s	X = 3s Y = 3s
Boucles	
Déport des boucles de télésignalisation 1 et 2 validé ou non (utilisation des bits 1 à 4 de l'octet S1)	Non validé
Site central (oui/non)	non
Routage	
Autorisation d'émission de traps vers la gestion : déclaration des adresses des gestionnaires (10 adresses possibles)	
Tables des routes statiques configurées	Non configurées
Mise en service des ports : Ethernet, PPP1, PPP2, PPP3 ou PPP4 Activé / désactivé (port par port)	Désactivé
Adressage des ports (port par port) : Adresse IP de l'interface Masque de sous-réseau Adresse IP de destination (interface PPP seulement)	0.0.0.0 0.0.0.0 0.0.0.0
Chemins de gestion (port par port – PPP seulement) : Au choix : MNGT, DCC1_A, DCC1_B, DCC1_C, DCC1_D	Non configurés
Routage RIP validé ou non (port par port)	Non validé

Tableau 2-6 – Paramètres de configuration (6/6)

Commandes ou opérations de maintenance

Commandes de surveillance en fonction des blocs fonctionnels
<i>SPI : Interface physique SDH (SDH Physical Interface)</i>
Relance laser 2s sur action opérateur
Relance laser 90s sur action opérateur
Bouclage ligne activé / désactivé (type transparent)
Bouclage équipement activé / désactivé (type transparent)
<i>MSP : Protection de section de multiplexage (Multiplex Section Protection)</i>
Commande opérateur pour protection MSP Clear (Annulation du forçage) Lockout of Protection (Interdiction de protection) Forced Switch to Working (Forçage de la commutation sur normal) Forced Switch to Protection (Forçage de la commutation sur secours) Manual Switch to Working (Commutation manuelle sur normal) Manual Switch to Protection (Commutation manuelle sur secours)
<i>LPC : Connexion de conduit d'ordre inférieur (Lower order Path Connexion)</i>
Commande opérateur pour la sécurisation SNC de conduit VC12 ou VC3 (par conduit et par ordre de priorité) : Clear (Annulation du forçage) Lockout of Protection (Interdiction de protection) Forced Switch to Working (Forçage de la commutation sur normal) Forced Switch to Protection (Forçage de la commutation sur secours) Manual Switch to Working (Commutation manuelle sur normal) Manual Switch to Protection (Commutation manuelle sur secours)
<i>PPI : Interface physique PDH (PDH Physical Interface)</i>
Bouclage ligne activé / désactivé (type transparent)
Bouclage équipement activé / désactivé (type transparent)
<i>Module ADRLAN</i>
Statistiques LAN
Statistiques VC3 # i
Contrôle du flux-
Etat des interfaces-
<i>SETS : Source de rythme de l'équipement synchrone (Synchronous Equipment Timing Source)</i>
Commande opérateur pour la sécurisation Clear (Annulation du forçage) Lockout of Protection (Interdiction de protection) Forced Switch (Forçage de la commutation) Manual Switch to Protection (Commutation manuelle sur secours)

Tableau 2-7- Commandes (1/2)

Commandes de surveillance en fonction des blocs fonctionnels	
<i>Équipement</i>	
Alarmes	
Acquittement des alarmes à l'aide du bouton-poussoir de face avant (cet acquittement n'intervient qu'au niveau des boucles majeure et mineure de sortie).	
RAZ du journal des alarmes et des événements	
Qualité	
RAZ des journaux qualité 15 mn # i	
RAZ des journaux qualité 24 h # i	
Reset	
Reset à chaud de l'équipement, réalisé par logiciel (la durée du reset doit être inférieure à 30s)	

Tableau 2-8 : Commandes (2/2)

2.4 - Fonctions prédéfinies

A la mise en service, les mécanismes suivants sont mis en œuvre automatiquement :

- synchronisation,
- gestion des boucles sortantes de télésignalisations.

Synchronisation

La synchronisation de l'équipement local et de l'équipement distant est gérée en fonction des sources de synchronisation disponibles, de leur qualité et de la priorité qui leur a été attribuée. Les sources de synchronisation possibles sont :

- fonctionnement en autonome (oscillateur local),
- T1 extraites de l'un des trains STM1 entrants (1 à 4 possibilité selon le nombre de cartes ADRIC1.x présentes dans l'équipement),
- T2 : une source 2 Mbit/s G.703 par module 2 Mbit/s déclaré et sélectionnée parmi les différents accès 2 Mbit/s G.703
- T3 : deux sources externes 2 MHz G.703

2 - EXPLOITATION

Les figures ci-après présentent des exemples de synchronisation en fonction du raccordement des équipements.

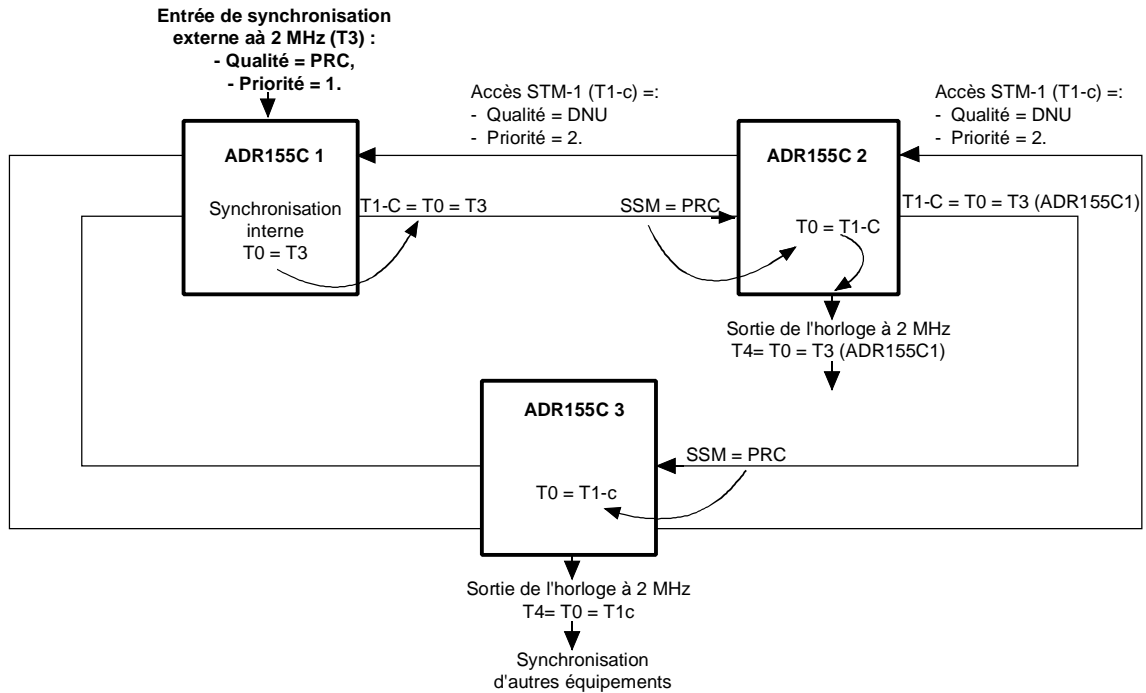
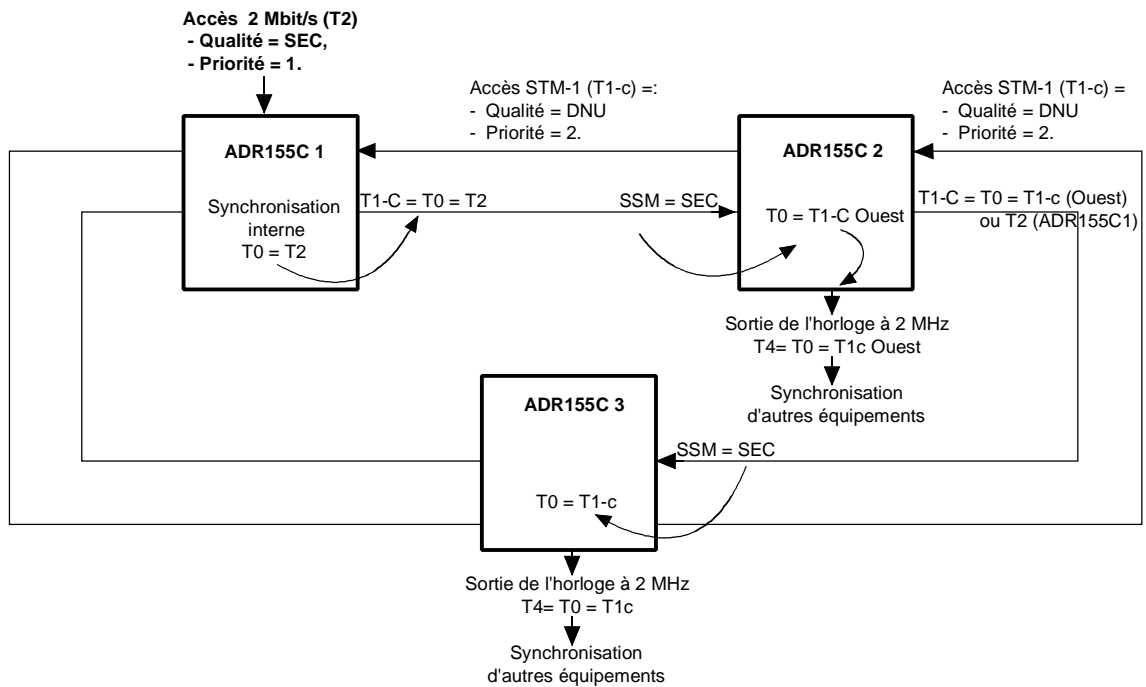


Figure 2-1 - Synchronisation à partir de l'entrée de synchronisation externe à 2 MHz (T3)



NOTA : La synchronisation se fait sur l'accès à 2 Mbit/s de l'ADR155C qui est mis en service le premier (ADR155C local dans l'exemple).

Figure 2-2 - Synchronisation à partir d'un accès à 2 Mbit/s

Gestion des boucles

Sur les sites distants, les deux boucles sortantes locales (Local user outputs A et B) sont activées sur l'apparition d'une alarme locale : alarme équipement ou boucles de télésignalisation 3 et 4 (Local user input #3 ou #4).

La fonction déport de boucles permet de rapatrier sur un équipement appelé "site central", les défauts présents sur les sites distants.

Pour ce faire, chaque site doit transmettre au site central une information de présence d'alarme. Cette information qui correspond à une boucle de télésignalisation 1 ou 2 (Local user input #1 ou #2) est transmise sur l'octet S1. Pour associer cette information aux alarmes d'un équipement, il suffit de connecter les sorties des boucles A et B (Local user outputs A et B) respectivement sur les entrées de télésignalisation 1 et 2 (Local user input #1 ou #2).

Le chaînage de l'information dans une topologie de type bus ou anneau est assuré par la validation d'une fonction "OU" entre les informations reçues (Far user inputs #1 et #2) via S1 STM1 Ouest et S1 STM1 Est d'une part et l'information locale d'autre part, au niveau de chaque site constituant le réseau.

Au niveau de l'équipement "site central", la validation d'une fonction "OU" entre les informations reçues (Far user inputs #1 et #2) via S1 STM1 Ouest et S1 STM1 Est d'une part et les informations locales (Local user input #1 ou #2 et alarme locale) d'autre part, permet d'activer les boucles d'alarmes locales (Local user outputs A et B).

Pour configurer la fonction déport de boucles il suffit programmer les paramètres "Déport des boucles par résultant" et "Site central".

La Figure 2-3 donne un exemple de gestion distante des boucles sortantes locales en fonction du raccordement des équipements.

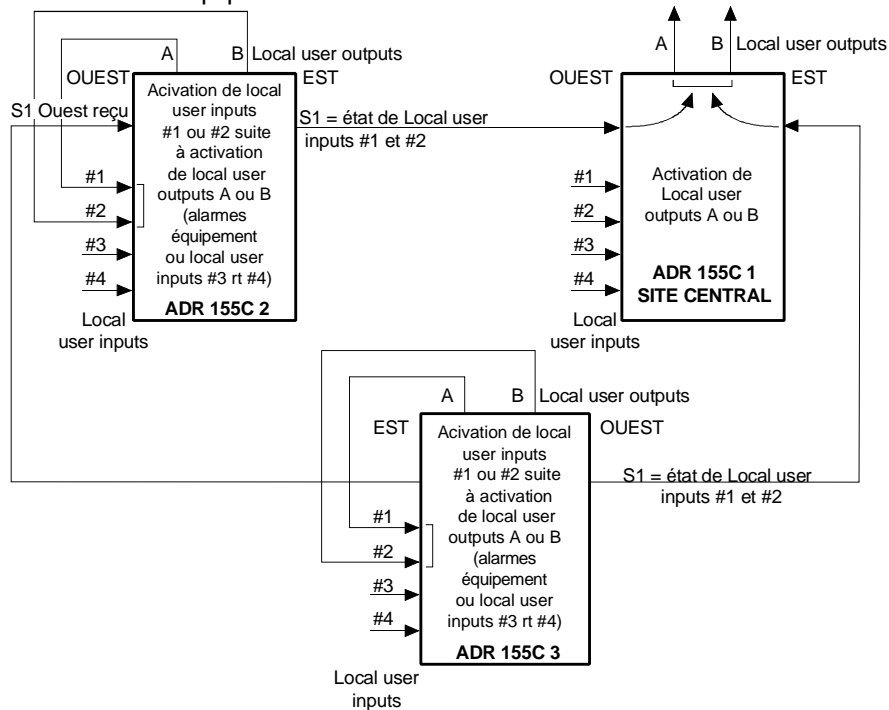


Figure 2-3- Déport de boucles (rapatriement des alarmes sur un site central)

NOTA : L'état :

- des boucles entrantes (Local user inputs #1 à #4),
 - des boucles entrantes distantes (Far user inputs #1 et #2),
 - et des boucles sortantes (Local user outputs A et B),
- peut être visualisé à partir du navigateur HTTP.

2.5 - Traitement des alarmes

Voyants et boutons poussoirs

Les tableaux ci-après donnent les significations de l'activation des voyants et les conséquences suite à la mise en oeuvre des boutons poussoirs.

⇒ **Voyants :**

Organe surveillé	Appellation	Couleur	Etat	Signification
Carte-mère	"ON"	Vert	Fixe Clignotant Eteint	Carte en service Défaut autotest Equipement non alimenté ou logiciel non démarré
	"ALA M" "ALA m"	Rouge Jaune	Fixe Fixe	Alarme majeure Alarme mineure
Ethernet (accès de gestion ou carte ADRLAN)	"Activity"	Vert	Fixe Eteint	Réception en cours Pas de trafic
	"Link"	Jaune	Fixe Eteint	Liaison correcte Absence de liaison
Cartes d'accès	"STATUS"			Voir tableau ci-après

⇒ **Voyants "STATUS" sur les cartes ADR IC 1.x, ADR LAN et ADR 21E120 :**

Voyant vert	Voyant rouge	Signification
Allumé	Eteint	Carte en service et configurée
Allumé	Allumé	Carte en service et en alarme
Eteint	Eteint	Défaut matériel de la carte (fusible)
Eteint	Allumé	Carte hors service (non configuré)
Clignotant		Défaut autotest

⇒ **Boutons poussoirs :**

Appellation	Localisation	Rôle	Conséquence à la mise en oeuvre
"ACK"	Face avant	Acquittement des alarmes	L'appui désactive les boucles d'alarmes sortantes. L'alarme visuelle est maintenue.
"INIT CONFIG"*	Carte mère	Rechargement configuration	Rechargement de la configuration "constructeur"

* : Pour mettre en oeuvre le bouton poussoir "INIT", appuyer dessus pendant 5 secondes minimum. Ce bouton poussoir est inaccessible (et inutilisé) en exploitation normale. La dépose du capot est nécessaire pour son accessibilité.

Défauts et Alarmes

Les tableaux ci-après donnent les valeurs par défaut des gravités associés aux défaillances.

Alarmes	Dénomination	Gravité
SPI : Interface physique SDH (SDH Physical Interface)		
LOS	Perte de signal / (Loss Of Signal)-	majeure
TF	Emission en défaut / (Transmit Fail)	majeure
RST : Terminaison de section de régénération (Regenerator Section Termination)		
LOF	Perte de trame durant plus de 1 à 3ms / (Loss Of Frame)	majeure
MST : Terminaison de section de multiplexage (Multiplex section Termination)		
EBER-B2	Taux d'erreurs > 10 ⁻³ sur les octets B2	majeure
SD-B2	Signal dégradé calculé à partir des octets B2 / (Signal Degrade -B2)	mineure
MS-AIS	Signal d'indication d'alarme / (Alarm Indication Signal)	néant
MS-RDI	Indication d'alarme distante / (Remote Defect Indication)	mineure
MSP : Protection de section de multiplexage (Multiplex Section Protection)		
PAM	Non concordance des octets K2 émis et reçus / (Protection Architecture Mismatch)	mineure
SCM	Non concordance entre les indications des canaux à secourir / (Selector Control Mismatch)	mineure
OTM	Incohérence de protocole / (Operation Type Mismatch)	mineure
MSA : Adaptation de section de multiplexage (Multiplex Section Adaptation)		
AU-AIS	Signal d'indication d'alarme d'unité administrative / (Administrative Unit - Alarm Indication Signal)	néant
AU-LOP	Perte de pointeur d'unité administrative / (Administrative Unit - Loss Of Pointer)	majeure
HPOM : Surveillance de préfixe de conduit d'ordre supérieur (higher Order path Overhead Monitor)		
HO-RDI/G1	Indication d'alarme distante sur conduit d'ordre supérieur / (High Order Path -Remote Defect Indication)	mineure
HO-UNEQ	Etiquette du conduit d'ordre supérieur non équipé / (High order Path - Unequipped)	néant

Tableau 2-9 : Alarmes et gravité (1/3)

2 - EXPLOITATION

Alarmes	Dénomination	Gravité
HPT : Terminaison de conduit d'ordre supérieur (Higher Order Path Termination)		
HO-SLM	Erreur sur l'étiquette C2 du signal sur conduit d'ordre supérieur / (High Order Path -Signal Label Mismatch)	néant
HO-RDI/G1	Conduit d'ordre supérieur - Indication d'alarme distante / (High Order Path -Remote Defect Indication)	mineure
HO-UNEQ	Etiquette du conduit d'ordre supérieur non équipé / (High Order Path -UNEQuipped)	néant
HPA : Adaptation de conduit d'ordre supérieur (Higher Order Path Adaptation)		
TU-LOM	Perte de multitrame d'unités d'affluents / (Tributary Unit - Loss Of Multitrame)	mineure
TU-AIS	Signal d'indication d'alarme d'unités d'affluents / (Tributary Unit - Alarm Indication Signal)	néant
TU-LOP	Perte de pointeur d'unités d'affluents / (Tributary Unit - Loss Of Pointer)	mineure
LPOM : Surveillance de préfixe de conduit d'ordre inférieur (Lower Order path Overhead Monitor)		
SD-B3 (VC3)	Signal dégradé calculé à partir des octets B3 / (Signal Degrade -B3)	mineure
SD-B2 (VC12)	Signal dégradé calculé à partir des octets B2 / (Signal Degrade -B2)	mineure
LO-RDI	Indication d' alarme distante sur conduit d'ordre inférieur / (Low order Path -Remote Defect Indication)	mineure
LO-UNEQ	Etiquette du conduit d'ordre inférieur non équipé (Low order Path - Unequipped)	néant
LPT : Terminaison de conduit d'ordre inférieur (Lower order Path Termination)		
SD-V5 (VC12)	Signal dégradé calculé à partir des V5 / (Signal Degrade -V5)	mineure
SD-B3 (VC3)	Signal dégradé calculé à partir des octets B3 / (Signal Degrade -B3)	mineure
LO-SLM	Erreur sur l'étiquette du signal de conduit d'ordre inférieur / (Low order Path - Signal Label Mismatch)	néant
LO-RDI	Indication d'alarme distante associée au conduit d'ordre inférieur / (Low order Path - Remote Defect Indication)	mineure
LO-UNEQ	Etiquette du conduit d'ordre inférieur non équipé (Low order Path - Unequipped)	néant
LPA : Adaptation de conduit d'ordre inférieur (Lower order Path Adaptation)		
LO-SLM	Erreur sur l'étiquette du signal de conduit d'ordre inférieur / (Low order Path - Signal Label Mismatch)	néant

Tableau 2-10 : Alarmes et gravité (2/3)

Alarmes	Dénomination	Gravité
PPI : Interface physique PDH (PDH Physical Interface)		
LOS	Perte de signal (Loss Of Signal)	mineure
AIS	Signal d'indication d'alarme (Alarm Indication Signal)	Néant
SETS : Source de rythme de l'équipement synchrone (Synchronous Equipment Timing Source)		
T3 LOS	Perte de signal sur l'entrée de synchro T3	mineure
T1 LOS	Perte de signal sur l'entrée de synchro T1	néant
T2 LOS	Perte de signal sur l'entrée de synchro T2	néant
T4 - Failure	Défaut sur la sortie de synchronisation T4	mineure
Equipement local		
Local user inputs # 1	Télésignalisation 1	néant
Local user inputs # 2	Télésignalisation 2	néant
Local user inputs # 3	Télésignalisation 3	majeure
Local user inputs # 4	Télésignalisation 4	mineure
Equipement distant		
Far user inputs # 1	Télésignalisation 1	Majeur *
Far user inputs # 2	Télésignalisation 2	Mineure *
Autres		
Message	Card configuration	majeure
Message	Defective card	majeure
Message	Missing card	majeure

Tableau 2-11 : Alarmes et gravité (3/3)

* Si l'équipement configuré est déclaré site central.

2 - EXPLOITATION

Corrélation des défauts

Un traitement de corrélation est réalisé sur l'ensemble des défauts détectés.

Ce mécanisme de corrélation, mis en oeuvre à chaque changement des informations collectées, permet d'éliminer les défauts qui sont induits par d'autres défauts afin de faciliter la recherche et la localisation de panne.

Les tableaux suivants définissent les défauts qui sont masqués par chaque défaut détecté dans le système.

Légende :

X

 : Le défaut considéré sur la ligne courante est masqué par le défaut de la colonne courante.
ex : Le défaut 3 (LOF) est masqué par le défaut 2 (LOS).

Corrélation des défauts STM1

	DEFAUTS	1 TF	2 LOS	3 LOF	4 AIS	5 SD-B2	6 RDI
1	TF						
2	LOS						
3	LOF		X				
4	AIS (MS-AIS)		X	X			
5	SD-B2		X	X	X		
6	RDI (MS-RDI)		X	X	X		

Corrélation des défauts MSP

	DEFAUTS	1 PAM	2 SCM	3 OTM
1	PAM			
2	SCM	X		
3	OTM	X		

Corrélation des défauts AU

Les défauts AU, sont masqués par les défauts STM1 LOS, LOF et AIS (MS-AIS).

Le défaut TU-LOM est filtré si aucune connexion VC12 n'est configurée sur ce STM1

	DEFAUTS	1 AU-AIS	2 AU-LOP	3 UNEQ	4 RDI	5 SLM	6 TU-LOM
1	AU-AIS						
2	AU-LOP						
3	UNEQ (VC4 UNEQ)	X	X				
4	RDI (VC4 RDI)	X	X	X			
5	SLM	X	X	X			
6	TU-LOM	X	X	X		X	

Corrélation des défauts TU/VC

TU-AIS, LP UNEQ, LP-RDI et LP-SLM sont masqués par les défauts STM1 LOS , LOF et AIS (MS-AIS) et par les défauts AU AU-LOP, AU-AIS, UNEQ (VC4 UNEQ) et TU-LOM.

TU-LOP est masqué par les défauts AU SLM et TU-LOM.

Les défauts TU-AIS et TU-LOP d'une entrée non connectée sont filtrés

	DEFAUTS	1	2	3	4	5	6	7
	DEFAUTS	TU-AIS	TU-LOP	LP UNEQ	LP-RDI	LP-SLM	LOS	AIS
1	TU-AIS							
2	TU-LOP							
3	LP UNEQ	X	X					
4	LP-RDI	X	X	X				
5	LP-SLM	X	X	X				

Corrélation des défauts accès

	DEFAUTS	1	2
	DEFAUTS	LOS	AIS
1	LOS		
2	AIS	X	

Corrélation des défauts distants

Les défauts LO-REI, LO-RDI, HO-REI et HO-RDI d'une entrée de connexion unidirectionnelle sont filtrés.

2.6 - Traitement de la qualité

Le traitement de la qualité consiste à superviser les points de surveillance suivants :

pour l'équipement local :

- la section de régénération (octet B1) ("**near end working (protection) RS**"),
- la section de multiplexage (octet B2) ("**near end working (protection) MS**"),
- les conduits VC3 ("**near end Low Path Virtual Container**"),
- et les conduits VC12 (octet V5) ("**near end Low Path Virtual Container**"),

pour l'équipement distant :

- la section de multiplexage (octet M1) ("**far end working (protection) MS**"),
- les conduits VC3 ("**far end Low Path Virtual Container**").
- et les conduits VC12 (octet V5) ("**far end Low Path Virtual Container**").

Le traitement de la qualité comporte les fonctions suivantes :

- calcul du nombre de blocs erronés (ou d'erreurs bits) sur les anomalies locales et distantes et surveillance de l'apparition des défauts sur une période d'une seconde (les indicateurs VC12-REI ne sont pas pris en compte dans les calculs),
- calcul et détermination des états ES (Errored Second ; seconde erronée), SES (Severely Errored Second ; seconde gravement erronée), BBE (Background Block Error : bloc erroné résiduel) et UAS (UnAvailable Second ; seconde d'indisponibilité) pour chaque point de surveillance,
- élaboration pour chaque point de surveillance des compteurs 15 minutes et des compteurs 24 heures (BBE, ES, SES et UAS).

Détermination des états qualité ES, SES et UAS :

Pour chaque point de surveillance, les états qualité sont les suivants :

- **ES** (Errored Seconds) : nombre de secondes avec au moins une erreur détectée dans une période de 1s ou un défaut,
- **SES** (Severely Errored Seconds) : nombre de secondes gravement erronées,

Une SES est une seconde pour laquelle le nombre d'erreurs dépasse un seuil défini ou pendant laquelle au moins un défaut est détecté.

Point de surveillance	Seuil de déclaration d'une SES
RS (octet B1) (pour local)	2400
MS (octet B2) (pour local) et MS (octet M1) (pour distant)	2400
VC3 (pour local)	600
VC12 (octet V5) (pour local)	600

- **UAS** (UnAvailable Second) : nombre de secondes d'indisponibilité,
- **BBE** (Background Block Error) : nombre de blocs erronés hors SES.

Elaboration des compteurs 15 minutes et 24 heures :

Le résultat de ces calculs est ensuite cumulé pour chaque point de surveillance dans :

- des compteurs 24 heures (**BBE, ES, SES** et **UAS**),
- et des compteurs 15 minutes (**BBE, ES, SES** et **UAS**).

Les six dernières périodes d'indisponibilité (**UNAVAILABLE PERIODS**) sont conservées et visualisables à partir du navigateur HTTP.

Le traitement de la qualité est initialisé dès que l'équipement est mis sous tension et que le point de surveillance est activé ('monitored').

Les 16 derniers compteurs 15 minutes non nuls, le compteur 15 minutes courant, le dernier compteur 24 heures non nul, le compteur 24 heures courant et les 6 dernières périodes d'indisponibilité sont visualisables à partir du navigateur HTTP.

2.7 - Procédures de changement de sous-ensemble

Remplacement d'une carte

Observations :

- Des alarmes apparaissent lorsqu'une carte est extraite du châssis. Afin d'éviter la remontée des alarmes M/m et boucles ALA 1 et ALA 2, la carte doit être déclarée hors service.
- Chaque module peut être extrait ou inséré sans intervention sur les autres modules ou leur câblage. Seul le trafic du module concerné est perturbé.

Procédure :

La procédure décrite ci-dessous peut s'appliquer, sauf indication contraire, à toutes les cartes de l'équipement.

1. Mettre la carte concernée "hors service" à partir du navigateur HTTP.
2. Retirer les raccordements externes, effectués sur la face avant de la carte.

NOTA : Lorsque les fibres optiques externes sont déconnectées, remettre en place les capots de protection des connecteurs.

3. Dévisser les vis TORX situées en face avant à l'aide du tournevis adapté et désenficher la carte
4. Extraire la carte en respectant les mesures de protection contre les décharges électrostatiques.

NOTA : Pour toute manipulation de carte, l'opérateur doit être équipé d'un bracelet anti-statique bien serré au poignet et relié à la terre.

5. Conditionner la carte dans un sachet anti-statique.
6. Sortir la nouvelle carte de son sachet anti-statique.
7. Insérer avec précaution la carte dans son alvéole en respectant les mesures de protection contre les décharges électrostatiques et la fixer avec les vis TORX.
8. Rétablir les raccordements en face avant de la carte.

NOTA : Pour la carte STM1 optique, retirer les capots de protection des connecteurs.

Pour nettoyer les connecteurs optiques, utiliser une bombe d'air sous pression.

9. Configurer la carte, si nécessaire, et la mettre en service.

Remplacement du module ventilateur

Le module ADRFAN est composé de deux ventilateurs redondants afin d'assurer une ventilation suffisante lors d'une défaillance de l'un d'entre eux. Les pannes des ventilateurs sont détectées sur la carte-mère par surveillance du courant consommé ; elles sont visualisées dans l'écran d'accueil "ADR155C shelf view" du navigateur HTTP : si au moins un des deux ventilateurs est en panne le module ADRFAN est encadré en rouge (alarme majeure, non configurable).

NOTA : le fonctionnement du module ADRFAN n'est pas permanent ; son déclenchement est lié à la température interne de l'équipement.

Le module ADRFAN est extractible, il peut être remplacé à tout moment sans perturbation du trafic.

Procédure :

1. Dévisser les vis TORX situées en face avant à l'aide du tournevis adapté et désenficher le module
2. Extraire la carte en respectant les mesures de protection contre les décharges électrostatiques.

NOTA : Pour toute manipulation de carte, l'opérateur doit être équipé d'un bracelet anti-statique bien serré au poignet et relié à la terre.

3. Conditionner le module dans un sachet anti-statique.
4. Sortir le nouveau module de son sachet anti-statique.
5. Insérer avec précaution le module dans son emplacement en respectant les mesures de protection contre les décharges électrostatiques et le fixer avec les vis TORX

Remplacement du fusible de face avant

Procédure :

1. Déconnecter le cordon d'alimentation ou le transformateur 110-240//48V 60W/ de la source primaire d'alimentation
2. Dévisser le porte-fusible en face avant de l'alimentation
3. Remplacer le fusible défectueux par un fusible équivalent à savoir :
Fusible 4A rapide (HA214A)
Dimensions longueur : 20mm \pm 0,5
diamètre : 5,2 mm +0,1/-0,2
4. Revisser le porte-fusible
5. Reconnecter le cordon d'alimentation ou le transformateur 110-240//48V 60W/ sur la source primaire d'alimentation

3. RECHANGES

Désignation	N° de code
ADR155C châssis 19"	
Châssis - ADR155C	AM101333
Module de ventilation – ADRFAN	AM101360
Adaptateur 22 x 75 ohms 1.0/2.3 19"/ETSI	AM101901
Carte d'accès	
Accès STM1 optique IC1.1 – ADR IC1.1	AM101328
Accès STM1 optique IC1.2 – ADR IC1.2	AM101329
Accès Ethernet 10/100 – ADR LAN1	AM101331
Accès 21 x 2Mbit/s 120 ohms – ADR 21E120	AM101330
Boîtier externe	
Transformateur 110-240//48V 60W/	AM101669
Logiciel	

Liste des cordons disponibles

Désignation	Longueur	N° de code
Accès SYNC Synchronisation	2,5 m	251 008 309
	5 m	251 008 312
	12 m	251 008 320
	25 m	251 008 333
Accès E1 INPUT ou E1 OUTPUT Et ou St 21x2Mbit/s sur carte-mère ou ADR21E120		
Et ou ST 21x2 Mbit/s 120 ohms SUBD	2,5 m	55 670 741
	5 m	55 670 742
	12 m	55 670 743
	25 m	55 670 744
21x2 Mbit/s 75 ohms 1.0/2.3 cordon droit	2,5 m	55 670 582
	5 m	55 670 583
	12 m	55 670 584
	25 m	55 670 585

Liste des cordons disponibles (suite)

Désignation	Longueur	N° de code
Accès MNGT Management P entre deux ADR 155C	1,5 m 3 m	55 670 655 55 670 656
Accès COMM Accès de gestion VT100	1,8 m	4 980 214
Accès ETH Accès Ethernet sur carte-mère ou module ADRLAN1		
Cordon droit mâle – mâle	1,5 m	55 670 421
Cordon droit mâle – mâle	3 m	55 670 422
Cordon croisé mâle – mâle	3 m	55 670 610
Cordon droit mâle –femelle	1,5 m	55 670 423
Cordon droit mâle –femelle	3 m	55 670 424
Accès LOOPS Boucles d'alarmes GTR et télésignalisation	2,5 m 5 m 12 m 25 m	6 013 628 6 013 261 6 013 161 6 013 262
Accès POWER Energie	1,5 m 3 m	55 670 796 55 670 797
Accès TR ou REC Jarretière optique FC-PC/FC-PC sur carte ADRIC1.x	2,5 m 3,4 m 5,8 m 7 m 8,2 m 9,4 m 15 m 20 m 25 m	6 491 366 6 491 367 6 491 369 6 491 370 6 491 371 6 491 372 55 670 481 55 670 495 55 670 752
Accès AUX ou EOW Accès auxiliaire et voie de service sur carte ADRIC1.x	2,5 m 5 m 12 m 25 m	6 013 632 6 013 266 6 013 176 6 013 267

4. CARACTERISTIQUES TECHNIQUES

EQUIPEMENT	
Caractéristiques optiques	
Type d'interface	IC1.1 = L1.1 + S1.1 ou IC1.2 = L1.2 + S1.2
Débit	155,520 Mbit/s ± 20 ppm
Norme	UIT-T G.957/G.958
Codage	Non codé (NRZ)
Fibre optique	Monomode (1300 nm (IC1.1) ou 1550 nm (IC1.2), UIT-T G.652) * : Il est possible d'utiliser une fibre optique multi-mode, de diamètre inférieur ou égal à 62,5 microns.
Atténuation garantie	0 - 28 dB sans atténuateur externe
Portée typique	0 - 70 km (IC1.1) ou 0 - 100 km (IC1.2)
Connecteur	FC/PC tout céramique
Caractéristiques mécaniques	
Hauteur	2U
largeur	19" ou ETSI
Profondeur	300 mm
Masse	environ 6 kg
Indice de Protection (IP)	correspond à l'IP de la baie utilisée
Consommation	< 40 W (pour un châssis équipé de deux cartes ADR IC1.x et deux cartes ADR LAN)
Caractéristiques d'environnement	
Mécaniques	ETS 300 119-4 (19") ou CEI 297-3 (ETSI) ETS 300 019-2-3
Condition climatique	CEI 721-1 (1993) ETS300 019 part 1-3, class 3.1, 3.2
Température de fonctionnement	- 5 °C à + 45°C
Température de fonctionnement étendue	- 25 °C à + 55°C (le MTBF [Mean Time Between Failure] est sensiblement dégradé)
Température de transport et de stockage	- 40°C à + 70°C
Humidité relative	< 85%
DES	NF EN 50081-1, NF EN 50082-1 de Juin 1992 et ETS 300 386-1 de 1994
CEM (Compatibilité Electro-Magnétique)	NF EN 55022 (1994) + Additif A1 de 02/1996 Equipement de classe B
Sécurité	NF EN 60950/A4 et A11
Energie	ETS 300132-2 (l'équipement est TBTS)

4 - CARACTERISTIQUES TECHNIQUES

Fiabilité prévisionnelle *	
Carte-mère	3,4 10 ⁻⁶
Carte ADR 21E120	0,75 10 ⁻⁶
Carte ADR IC1.x	2,6 10 ⁻⁶
Carte ADR LAN1	2,25 10 ⁻⁶
Fond de panier	0,33 10 ⁻⁶
Alimentation	1,25 10 ⁻⁶
Module ventilateur **	2,5 10 ⁻⁶

* Les calculs de fiabilité prévisionnelle ont été effectués à partir du Recueil de Données de fiabilité du CNET édition 1993 (RDF 93) dans des hypothèses de température ambiante de 25°C (dans des conditions d'aération telles que la température moyenne interne au châssis ne dépasse pas 40°C), d'environnement (au sol, fixe et protégé), de qualification et d'âges des composants bien précises. Toute modification de ces hypothèses peut entraîner des résultats différents.

** Le module ventilateur ne fonctionne pas en permanence, mais seulement pour une température ambiante élevée.

TRANSFORMATEUR 110-240//48V 60W/ (OPTION)	
Dimensions (hors câble et prise)	L x l x H = 132 mm x 58 mm x 30 mm
Température de fonctionnement	0°C à 40°C
Température de stockage	-20°C à 85°C
Tension d'entrée	90 à 264 VAC
Fréquence d'entrée	47 à 63 Hz
Tension de sortie	48 VDC
Protections électroniques	Courts-circuits et surcharges
Normes	EN60950 et UL-CSA

A. CONSTRUCTION DU PLAN D'ADRESSAGE D'UN RESEAU IP

Cette annexe décrit d'une façon succincte les règles permettant de construire un RGT basé sur la suite de protocoles IP.

A.1 - Préambule

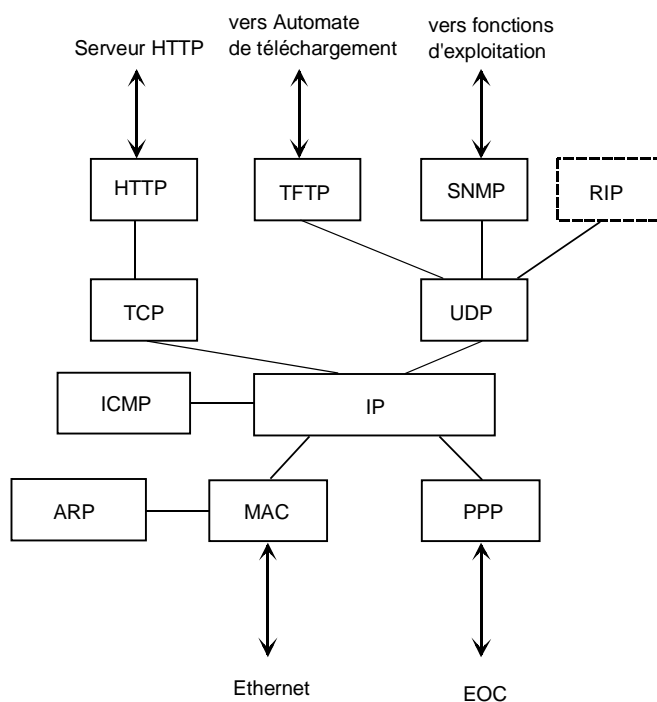
La suite de protocoles IP permet, dans un réseau de transmission de données, le transport de données sous la forme de paquets entre deux points du réseau.

Selon le modèle ISO, IP est le protocole de la couche réseau. Il a donc en charge au sein de chaque nœud le routage de paquets afin que ceux-ci puissent être acheminés dans le réseau.

Les protocoles situés 'en-dessous' d'IP correspondent aux couches liaison et physique : ils établissent des liaisons entre deux nœuds consécutifs du réseau.

Les protocoles 'au-dessus' d'IP, TCP et UDP sont les protocoles de la couche transport : ils assurent une transmission de données de bout en bout entre deux points éloignés du réseau. Les protocoles s'appuyant sur TCP/UDP sont orientés applicatifs : ils offrent des services tels que le transfert de fichiers (TFTP sur UDP, FTP sur TCP), la gestion d'équipements (SNMP), la messagerie (SMTP),...

La figure ci-dessous décrit l'empilement des principaux protocoles pouvant être mis en jeu dans un nœud du réseau.



Suite des protocoles IP

Rem : Le protocole MAC se rattache au port physique Ethernet (media point à multi-points) et le protocole PPP se rattache aux ports physiques réalisant des liaisons point à point (media optique, hertzien, V11,...)

A.2 - Adressage IP

Afin de pouvoir router des paquets au sein d'un noeud, IP utilise un mécanisme d'adressage : en fonction de l'adresse destination contenue dans le paquet, il détermine en scrutant sa table de routage vers quel prochain routeur il doit envoyer le paquet et il en déduit l'interface physique sur laquelle il doit émettre le paquet. On utilisera indifféremment les vocables «routeur» ou «équipement» par la suite),

Il existe deux façons non exclusives pour mettre à jour les tables de routage d'IP :

- utilisation de routes statiques saisies par l'opérateur,
- l'utilisation d'un démon de routage (tels que RIP, RIP2, OSPF) ayant la charge de gérer dynamiquement les tables de routage à travers le réseau.

Les adresses IP sont codées sous la forme de 4 octets et sont représentées usuellement sous forme décimale (exemple : 135.11.33.115). Une adresse IP se décompose au plus en 3 champs :

- le champ «NET» situé à gauche,
- le champ «subnet» situé au centre,
- le champ «host» situé à droite.

La longueur du premier champ dépend de la classe à laquelle appartient l'adresse. La longueur des champs «subnet» et «host» est définie par un masque associé à l'adresse. Il existe trois classes d'adresses :

- la classe A : le champ «NET» est codé sur le premier octet ; les trois autres octets étant réservés aux champs «SUBNET» et «HOST» ; les adresses de classe A varient de 1.0.0.0 à 126.255.255.254 ,
- la classe B : le champ «NET» est codé sur les deux premiers octets ; les deux autres octets étant réservés aux champs «SUBNET» et «HOST» ; les adresses de classe B varient de 128.0.0.0 à 191.255.255.254 ,
- la classe C : le champ «NET» est codé sur les trois premiers octets ; le dernier octet étant réservé aux champs «SUBNET» et «HOST» ; les adresses de classe C varient de 192.0.0.0 à 223.255.255.254. ; le nombre maximal d'équipements pouvant appartenir à un même réseau IP de classe C (ayant le même «NET») est de 254 équipements.

Rem : Les adresses commençant par 127 et les adresses comportant 'tout 1' ou 'tout 0' dans les champs «SUBNET» et «HOST» sont interdites.

Rem : Le standard IP autorise que les champs «SUBNET» et «HOST» puissent être codés sur un nombre de bits ne correspondant pas à une frontière d'octet ; usuellement ceci n'est pas mis en œuvre pour des raisons de lisibilité d'adresses et car la plupart des implémentations du démon de routage RIP ne supportent pas cette fonctionnalité.

Le champ «SUBNET» se définit par un masque qui s'écrit sous la forme : 255.255.255.0, 255.255.0.0, 255.0.0.0, etc : le nombre de bits à zéro de la partie droite du masque définit la longueur du champ «HOST» ; ex : pour l'adresse 40.2.2.2 associée au masque 255.255.255.0, le champ «NET» prend la valeur 40, le champ «SUBNET» la valeur 2.2 et le champ «HOST» la valeur 2.

A.3 - Plan d'adressage

Un réseau global IP doit être subdivisé en N réseaux ayant chacun un numéro de «NET».

Au sein de chaque réseau, chaque liaison physique (point à point ou multi-point) a son numéro de «SUBNET» propre.

Chaque équipement relié à cette liaison (2 pour une liaison point à point, N pour un segment Ethernet) a son numéro de «HOST» propre.

En fonction du nombre d'équipements et de liaisons, on utilisera des adresses de classes A, B ou C et des «SUBNETs» codés sur un ou deux octets.

En conclusion, à chaque interface d'un nœud du réseau va être associé obligatoirement un couple constitué d'une adresse IP et son masque de «SUBNET».

A.4 - Utilisation des tables statiques

Dans le cadre de l'utilisation de tables statiques, chaque nœud du réseau doit avoir sa table de routage renseignée afin qu'il puisse router correctement les paquets reçus.

Toute route IP d'une table de routage d'un équipement donné comprend les champs suivants :

- «destination @IP» : correspond à l'adresse IP de l'équipement ou du sous-réseau (voire du réseau) que l'on veut atteindre à partir de l'équipement donné,
- «subnet mask» : masque de sous-réseau associé à l'adresse IP définie dans «destination @IP» ; tous les équipements dont la partie d'adresse IP définie par les bits «1» de ce champ correspond à la même valeur que la partie de «destination @IP» définie par ce même masque pourront être atteints grâce à cette route,
- «next hop @IP» : adresse IP du prochain équipement (connecté en direct avec l'équipement donné) auquel va être envoyé le paquet,
- «metric» (on parle aussi de «coût» ou de distance): valeur de 1 à 15 indiquant le nombre de bonds pour atteindre l'équipement correspondant à l'adresse «destination @IP». 16 correspond à l'infini pour le démon de routage RIP. Ce champ est utilisé uniquement par un éventuel démon de routage pour choisir une route préférentielle s'il existe plusieurs routes différentes pour une même destination. Il est possible de toujours renseigner ce champ à 1 dans un but de simplification si son exploitation n'est pas indispensable,
- «interf.» : numéro de l'interface qui permet d'atteindre le prochain équipement (dont l'adresse IP est «next hop @IP»).

Rem : La déclaration des adresses IP des interfaces induit l'établissement de routes statiques implicites vers les SUBNETs associés. Il n'est donc pas nécessaire de définir des routes statiques pour joindre deux équipements d'un même SUBNET.

Rem : L'équipement a pour adresses IP les adresses de ses interfaces (ou ports) configurés. Le gestionnaire ne connaît qu'une seule adresse IP par équipement. On parle donc fréquemment de l'adresse IP d'un équipement pour désigner l'adresse renseignée dans la base de données du gestionnaire. C'est l'adresse du port par lequel l'équipement dialogue normalement avec le gestionnaire.

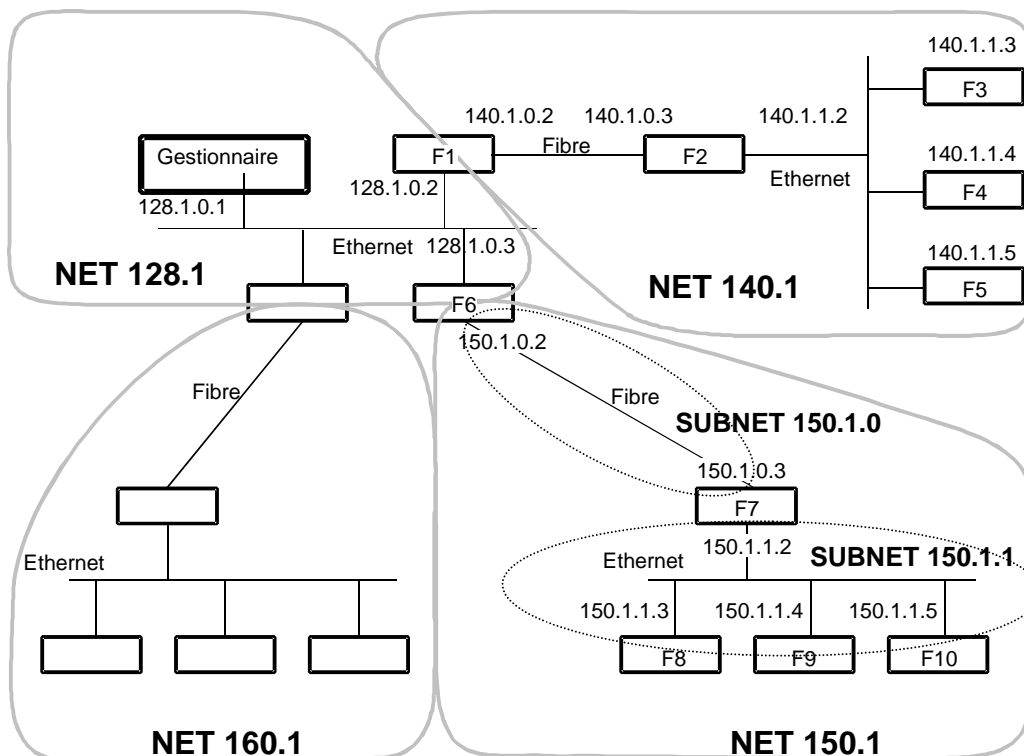
Rem : Pour exploiter un équipement via un PC et une interface Ethernet, il est nécessaire de modifier l'adresse IP du PC d'exploitation pour qu'il appartienne au même SUBNET que l'interface Ethernet qui sert à se connecter au réseau.
Il est conseillé de laisser libre le numéro de HOST 1 sur chaque SUBNET, c-à-d de commencer à numérotter les équipements à partir du numéro de HOST 2. Le PC prendra ainsi toujours une adresse IP de type : NET.SUBNET.1

Rem : Il est possible de définir un routeur par défaut (option parfois disponible), auquel sera transmis tout paquet ne pouvant pas être routé grâce à la table de routage.

ANNEXE A - CONSTRUCTION DU PLAN D'ADRESSAGE D'UN RESEAU IP

La figure suivante donne un exemple de réseau IP et des tables de routage associé à deux équipements types. On note que chaque port de la fonction de routage embarquée correspond à un SUBNET différent.

Schéma d'un exemple d'architecture de RGT



Configuration de l'ADR155C F6

Interfaces

IP Ether	128.1.0.3
Masque Ether	255.255.0.0
IP STM1	150.1.0.2
Masque STM1	255.255.255.0
IP X21:P	0.0.0.0 (Interface non mise en service)
Masque X21:P	0.0.0.0

Routes statiques

Dest @IP	Subnet mask	Next hop	Interface	Metric	Remarque
140.1.0.0	255.255.0.0	128.1.0.2	e	1	Tout le NET 140.1
150.1.1.0	255.255.255.0	150.1.0.3	s	1	Tout le SUBNET 155.1.1

Configuration de l'ADR155C F8

Interfaces

IP Ether	150.1.1.3
Masque Ether	255.255.255.0
IP STM1	0.0.0.0 (Interface non mise en service)
Masque STM1	0.0.0.0
IP X21:P	0.0.0.0 (Interface non mise en service)
Masque X21:P	0.0.0.0

Routes statiques

Dest @IP	Subnet mask	Next hop	Interface	Metric	Remarque
128.1.0.0	255.255.0.0	150.1.1.2	e	2	Tout le NET 128.1
140.1.0.0	255.255.0.0	150.1.1.2	e	3	Tout le NET 140.1
150.1.0.0	255.255.255.0	150.1.1.2	e	1	Tout le SUBNET 155.1.0

A.5 - Utilisation du démon de routage RIP

«RIP» est un démon de routage permettant de s'affranchir d'une partie des tables de routage statique.

Le réseau doit être découpé en «AUTONOMOUS SYSTEMS» ou «AS» ayant chacun un numéro de «NET» différent.

Chaque «AS» est un domaine de routage RIP et doit être limité à une distance de 15 bonds au maximum entre deux équipements devant s'échanger des paquets au sein de cet «AS». On tient compte de la distance maximale pour inclure le pire cas de sécurisation du réseau.

Ces «AS» sont disjoints entre eux (au sein RIP) et reliés par des réseaux d'isolement constitués chacun d'une simple liaison (Ethernet ou point à point). Chaque réseau d'isolement a son propre numéro de «NET».

Les interfaces d'équipements appartenant à un réseau d'isolement doivent être filtrantes (option de filtrage RIP activée sur ces interfaces), c.à.d qu'elles interdisent l'exportation des mises à jour automatiques des tables de routage «RIP». Ces équipements ayant une interface filtrante sont dits «border»

Au sein d'un «AS», tous les équipements doivent avoir leur démon de routage «RIP» activé.

A l'intérieur de chaque «AS» chaque liaison reliant deux équipements est décrite par une valeur de «SUBNET» propre.

Les routages d'un «AS» vers un autre «AS» via un réseau d'isolement sont décrits à l'aide de routes statiques.

Dans l'exemple présenté ci-dessus, le «NET» 128.1 correspond à réseau d'isolement et les «NET» 160.1. et 150.1 correspondent à des «AS» dans lesquels RIP est activé.

En cas de difficultés rencontrées lors de l'installation ou de l'utilisation, n'hésitez pas à :

If you encounter problems during installation or use, do not hesitate to:

CONTACTER NOTRE HOTLINE "PRODUITS SDH"
CONTACT OUR "SDH PRODUCTS" HOTLINE

UN SEUL NUMERO DE TELEPHONE :
ON A SINGLE TELEPHONE NUMBER:

en France métropolitaine/in mainland France : 01 55 75 77 77
ou depuis l'étranger/or from abroad : 33 1 55 75 77 77

UN SEUL NUMERO DE FAX :
ON A SINGLE FAX NUMBER:

en France métropolitaine/in mainland France : 01 55 75 77 70
ou depuis l'étranger/or from abroad : 33 1 55 75 77 70

UN SEUL Email :
ON A SINGLE Email address:
SAGEM.HOTLINE@SAGEM.FR

N'oubliez pas de vous munir de votre numéro de client qui est inscrit sur votre facture.

Don't forget to provide yourself with your customer number which is written on your bill.

SAGEM SA Networks and Telecommunications Division

Le Ponant de Paris - 27, rue Leblanc - 75512 PARIS CEDEX 15 - FRANCE

Tel. : +33 1 55 75 75 75 - Fax : +33 1 55 75 31 91

[http : /www.sagem.com](http://www.sagem.com)



Siège social : 6, rue d'Iéna - 75783 PARIS CEDEX 16 - FRANCE - S.A. au capital de FRF 210 502 900 - 562 082 909 RCS PARIS